



DISASTER TENT (16,50 m²)

(PVC TARPAULIN ON THE OUTSIDE TENT TOP, SIDE WALL
AND DOORS MADE OF 100% COTTON FABRIC,
INNER LINING FELT,
THE BASE AND SKIRT PVC TARPAULIN)

TECHNICAL SPECIFICATIONS

1.SUBJECT:

This technical specification covers the technical specifications, inspection methods and other issues related to the purchase of "Tent Disaster 16,50 m² Outer Tent Roof Part and Skirt PVC Tarpaulin, Side Walls and Doors 100% Cotton Fabric, Felt Lining, Lining Base PVC Tarpaulin) to be purchased domestically or from abroad for the needs of the Turkish Red Crescent.

2.CLASSIFICATION AND CHARACTERISTICS:

2.1. In this technical specification, only the term "Tent" shall be used instead of "Tent Disaster 16,50 m² (Outer Tent; Roof Part and Skirt PVC Tarpaulin, Side Walls and Doors 100% Cotton Fabric, Inner Lining; Felt, Lining Base PVC Tarpaulin)".

2.2. In the production of tents, raw materials shall be used in accordance with the technical specifications written in the relevant articles and the shape, form, color tone and touch of the sample.

2.3. Among the parts that make up the tents to be produced, the technical specifications of the materials such as tent canvas fabric (referred to as tent fabric) made of cotton fabric in natural raw cotton color, synthetic fabric PVC etc. coated canvas fabric (referred to as synthetic canvas), polyester-based synthetic felt (referred to as felt), sewing thread, tension rope, girth, tulle, acetate, zipper, textile zipper, tent poles, etc. shall be as specified in the relevant article.

2.4.General Characteristics of The Tent

2.4.1. Tent body will be formed by combining tent cloth and synthetic canvas into a single piece. The tent body will consist of side surfaces, roof, front and back walls combined into a single piece.

2.4.2. The side wall of the tent will consist of maximum 3 pieces and the front and back walls will consist of maximum 4 pieces of tent fabric. The joining process will be done with double stitching on a double needle machine.

2.4.3. The tent roof will consist of a maximum of 2 pieces of gray synthetic tarpaulin.

2.4.4. The tent skirt and fender will be made of gray synthetic tarpaulin. The skirt and fender on each surface will be one piece.

2.4.5. The tent fender will be made by continuing the synthetic tarpaulin 46 cm uninterruptedly after the skirt sections at the bottom of the side, front and rear walls.

2.4.6. The inner lining of the tent will consist of felt and gray synthetic tarpaulin at the base. The lining top surface, side surfaces and doors will be made of felt.

2.4.7. The inner lining base will consist of a maximum of 2 pieces of gray synthetic tarpaulin.

2.4.8. For the ceiling of the section (hall) between the inner lining and the fuselage front door, felt of the same type as the inner lining shall be sewn to the inner lining with stitching and piping or similar treatment applied to the edges.

2.4.9. Skeleton, piles, interconnection parts and chimney sheet will be in separate cases in the tent saddlebag. The fabric of the said covers will be polyethylene tarpaulin.

2.4.10. The stitch density will be at least 13 stitches per 10 cm.

2.4.11. Heat treatment method will be applied to make synthetic tarpaulins into one piece. There shall be at least 3 ± 0.5 cm folding (bonding) allowance during joining with heat treatment.

2.4.12. All threads used in tent sewing shall be COATS brand, produced by coating cotton on endless fiber polyester from twisted cotton yarn with a thickness suitable for various parts on the tent. The yarns used in the outer tent will be waterproof.

2.4.13. All zippers can be opened and closed from the front and back surfaces and double handles will be used.

2.4.14. It will be as seen on the tent sample.

2.5. General Characteristics of Tent Production

2.5.1. Body (Side Walls and Ceiling) stitching:

2.5.1.1. The roof of the tents will be formed by joining maximum 2 gray synthetic tarpaulins to each other by heat treatment method, and the joining process will coincide with the middle part of the tent peak. The logo of the institution will be printed in 90 (Ninety) cm x 58 (Fifty Eight) cm with the appropriate method in a solid and error-free manner in (CMYK) format for printing, printing and printing works, centering both surfaces of the roof.

2.5.1.2. The lower part of the tent roof and the junction with the side wall will be made with double stitching on a double needle machine. The seams shall be made in such a way as to facilitate the flow of water and prevent water from entering.

2.5.1.3. The outer tensioning handles, which are made of polyamide columns sewn from two sides with a length of at least 10 cm in finished form, will be located at the 4 corners of the tent and the tensioning ropes will be connected to these handles.

2.5.1.4. The one-piece synthetic tarpaulin 100 cm wide along the tent side wall specified in Article 2.5.1.2. will be joined to the tent cloth with a single needle sewing machine, and the joining will be made in a way to facilitate the flow of water. (46 cm section is the fender, 50 cm section is the side wall skirt section)

2.5.1.5. A total of 6 tensioning buckles (75 cm long with 2.5 cm polyamide columns) prepared beforehand are sewn 20 cm above the ground at the level of each foot of the tent side wall skirt (synthetic tarpaulin section).

2.5.1.7. The tent will have a total of 2 windows. The windows will be at least 30x74 cm in size and the mosquito nets will be sewn to the tulle tent body and fixed. When the tent is viewed from the outside, there will be a window cover made of tarpaulin cloth measuring at least 50x95 cm. 2 polyamide columns with 1.5 cm lock plastic buckles will be sewn in such a way that they can be connected when the window cover is collected upwards. The joining of the window cover to the side wall will be stitched to facilitate the flow of water. In order to close the cover from the outside, polyamide columns with 2 1.5 cm lock plastic buckles will be sewn to the corners.

2.5.1.8. There will be a chimney hole on the right side wall of the tent entrance. Ø30 cm diameter 2 pieces of chimney sheet will be mutually assembled to the outer tent in the specified dimensions with 4 screws as sheet metal, carbon based fireproof fabric, tent cloth, carbon based fireproof fabric, sheet metal respectively. A chimney cap cover will be sewn to close it from the outside. Carbon-based fireproof fabric will be cut in a circle with a diameter of 30 cm. Polyamide column will be sewn on the chimney sheet cover with 1 piece and 2 pieces of 1.5 cm lock plastic buckles attached to the lower two corners.

2.5.2. Tent Front and Back Door Sewing:

2.5.2.1. The tent front and back door will be formed by joining maximum 4 tent cloths together, the joining process will be done with double stitching on a double needle machine. There will be a zippered door at least 200 cm high in finished form at the back and front. In order to collect the door wings to the side, 2 polyamide columns with 1.5 cm lock plastic buckles will be sewn at least 65 cm after the zipper and at least 120 cm from the ground. Instructions for use will be sewn on the side of the tent entrance door with a chimney hole. (According to the sample)

2.5.2.2. Tent front and back door skirts shall be constructed as specified in Article 2.5.1.4.

2.5.2.3. A galvanized metal ring with a finished length of at least 15 cm and a 4 cm rubber ring with a finished length of at least 15 cm will be sewn on both wings of the tent front and back door at a distance of 75 cm from the door zipper and at a height of 30 cm from the ground.

2.5.2.4. The zipper of the front and back door of the tent shall not be left exposed and shall be sewn in such a way that it can be opened and closed in a tent cloth (cover) at least 8 cm wide. A 10*10 cm PVC reinforcement piece will be sewn immediately after the zippers are finished. One brass capsule numbered 28 will be hammered from the inside to coincide with the center of this reinforcement piece.

2.5.2.5. The logo of the Institution will be printed on the left side of the tent front door in 44 (Forty-Four) cm x 28 (Twenty-Eight) cm with the appropriate method in (CMYK) format for printing, printing and printing works in a robust and error-free manner. There will also be a transparent pocket on the right side of the door.

2.5.2.6. Body and doors will be joined together on a single needle sewing machine.

2.5.2.7. The body doors will be overlocked with three threads before the zipper is sewn.

2.5.3. Lining Stitching:

2.5.3.1. The lining will start after the front 115 cm aisle inside the tent. A zippered door at the same height as the front door in the middle of the lining, At most 6 pieces of roof and side walls cut in appropriate dimensions will be sewn longitudinally on a single needle sewing machine. Front and back doors will be sewn to the lining body on a single needle sewing machine. The lining felt will be in its natural color.

2.5.3.2. In order to attach the lining and sweating felt to the skeleton parts; 6 pieces at the upper junction point of the roof, 5 pieces at the junction point of the roof and the two side walls, 10 pieces in total, a total of 16 double-layer 15 cm long, 4 cm wide rubberized lining hooks (steel wire) will be sewn.

2.5.3.3. The lining base consists of at most 2 pieces of synthetic canvas combined by heat treatment method. The edges of the base will be cut to form a pool at a height of 20 cm. The lining body and the base will be joined together on a single needle sewing machine.

2.5.3.4. In order to fix the piles at the corners of the front door, a galvanized number 36 metal ring will be sewn to a 2.5 cm polyamide column at least 15 cm long. At the corners of the back door, 45 cm long 2.5 cm gray polyamide column tension buckle will be sewn.

2.5.3.5. On the lining side wall, there will be 2 windows made of cloth tarpaulin with 3 cm velcro tape on 3 sides with mosquito nets and 2 windows with internal covers, which will be in the same alignment with the outer tent.

2.5.3.6. Maximum 4 pieces of roof and side walls cut in appropriate dimensions shall be joined longitudinally on a single needle sewing machine.

2.5.3.7. A 10 cm long and at least 3 cm wide synthetic tarpaulin, 1 piece at the top of the lining living area and 1 piece in the hall, will be sewn to the synthetic tarpaulin, a hole will be drilled with a number 28 drill and the part where the electrical cable will pass will be sewn. Two number 28 brass capsules will be nailed to the top of the lining front and back door zipper.

2.5.3.8. The lining will be sewn with a polyamide column with a 1.5 cm lock plastic buckle attached to collect the door wings at least 65 cm after the zipper on both doors and at least 120 cm from the ground.

2.5.3.9. "Caution" label will be sewn on the door leaf where the inner lining front door outer surface chimney outlet is located. The label will be permanently and clearly printed on a 10x20 cm fabric.

2.5.3.10. "Emergency Exit" label will be sewn on a visible part of the liner emergency exit door. The label will be permanently and clearly printed on a 12x25 cm fabric. The direction of the arrow on the label will point to the emergency exit zipper.

2.5.4. PACKING OF TENT SECTIONS AND NECESSARY MATERIALS:

2.5.4.1. All parts of the tent will be 210 cm long and printed on small surfaces (in "ai" format (CMYK) for printer, printing and printing works). The dimensions of the piece to be sewn on small surfaces (before sewing) shall be 46 (Forty Six) cm x 44 (Forty Four) cm. In the printing to be made, it will be placed in a storage bag (saddlebag) with the corporate logo and the information at the bottom of the logo as shown below.



2.5.4.2. The tent body, lining and skeleton, stakes, intermediate connection parts and the saddlebag where the chimney sheet will be placed together must be made of synthetic tarpaulin. 2 tensioning buckles prepared before (2.5 cm polyamide column sewn tensioning buckle) will be sewn to the saddlebag covers. Carrying handles made of 5 cm polyamide column will be sewn on the long sides of the saddlebag to be carried. In order to carry the saddlebag like a bag, 2 (two) carrying handles will be sewn on both sides, 4 (four) in total.

2.5.4.3. The identification card, which will be located on the small surfaces of the saddlebag and whose shape is given below, will be printed in a durable and long-lasting manner with the appropriate method.

2.5.4.4. Tent stakes, intermediate fittings, skeleton pipes and chimney sheet will be placed in separate polyethylene tarpaulin saddlebags. In these, the tent will be placed in the original saddlebag containing the body and liner and packaged in a single package.

2.5.4.5. The tent sections and materials to be placed in the saddlebag are listed below.

2.5.4.5.1. A tent body that has been made whole with its add-ons.

2.5.4.5.2. The inner lining of the tent made whole with its add-ons,

2.5.4.5.3. A total of 4 pieces of 6 mm 6 mm jerk tensioning rope, each of which is maximum 3.5 meters long, with tensioning apparatus (plastic) attached

2.5.4.5.4. Tent skeleton materials found in a saddlebag,

2.5.4.5.4.1. 6 pieces 155 cm long Aluminum 6063 Ø42x2 mm matt anodized aluminum pipe,

2.5.4.5.4.2. 6 pieces of 194 cm long Aluminum 6063 Ø42x2 mm matt anodized aluminum pipe (roof),

- 2.5.4.5.4.3. 6 pieces of 194 cm long Aluminum 6063 Ø42x2 mm matt anodized aluminum pipe (foot) with foot shoe and tensioning sheet mounted on the end,
- 2.5.4.5.5. **Pile materials found in a saddlebag,**
- 2.5.4.5.5.1. 6 pcs Ø 16x300 mm hot galvanized nail piles,
- 2.5.4.5.5.2. 4 pieces of 40 cm long galvanized T-piles,
- 2.5.4.5.5.3. 6 pieces of 25 cm long galvanized T-piles,
- 2.5.4.5.6. **The Decoupling and hammer located in a saddlebag,**
- 2.5.4.5.6.1. 3 pieces of 4-arm interconnectors,
- 2.5.4.5.6.2. 6 pieces of 3-arm interconnectors,
- 2.5.4.5.6.3. 1 piece 1.5 kg tentmaker hammer,
- 2.5.4.5.7. **The chimney sheet that is located in a saddlebag,**
- 2.5.4.5.7.1. 2 pieces of chimney sheet,
- 2.5.4.5.7.2. 2 pieces of round cut fireproof felt,
- 2.5.4.5.7.3. 4 pieces of butterfly nut screws,
- 2.5.4.5.8. 1 (one) piece tent organization chart,

2.6. Material specifications :

- 2.6.1. Tent tarpaulin fabric specifications are given in **article 2.7.**
- 2.6.2. Roof, floor, skirt and scrap synthetic canvas fabric specifications are given in **article 2.8.**
- 2.6.3. Specifications of polyethylene tarpaulin for skeleton and pile scrap are given in **article 2.9.**
- 2.6.4. Carbon-based fireproof fabric specifications are given in **article 2.10**
- 2.6.5. Tulle (mosquito net) specifications are given in **article 2.11**
- 2.6.6. The specifications of the zipper and the Zipper and the Curler are given in **article 2.12.**
- 2.6.7. Textile zipper specifications are given in **article 2.13.**
- 2.6.8. Specifications for the lining hook (steel wire) are given in **article 2.14.**
- 2.6.9. The specifications of the mineral ring are given in **Article 2.15.**
- 2.6.10. Chimney sheet galvanized specifications are given in **article 2.16.**
- 2.6.11. Transparent acetate specifications are given in **article 2.17.**
- 2.6.12. Tensioning apparatus (plastic) specifications are given in **article 2.18.**
- 2.6.13. Iskata rope (tension rope) 6 mm specifications are given in **article 2.19.**
- 2.6.14. Aluminum 6063 Ø42x2 mm matt anodized aluminum pipe specifications are given in **article 2.20.**
- 2.6.15. Ø 16x300 mm hot galvanized nail pile specifications are given in **article 2.21.**
- 2.6.16. Tensioning pile specifications are given in **article 2.22.**
- 2.6.17. Tent hammer specifications are given in **article 2.23.**
- 2.6.18. Interconnection 4-piece, 3-piece and foot polyamide specifications are given in **article 2.24.**
- 2.6.19. Foot sole plate specifications are given in **article 2.25.**
- 2.6.20. Tent pallet specifications are given in **article 2.26.**
- 2.6.21. Lining felt specifications are given in **article 2.27.**

2.7. Tent Cloth Specifications

Type and Norm	The minimum value that must be provided
Type of material – ISO 1833	it will be woven from 100% (one hundred percent) cotton ring yarn.
Color	It will be in the color of natural raw cotton. (Unpainted)
Texture - (with appropriate magnifying glass or by removing)	1/1 (one divided by one) ragspun
Unit area mass – ISO 3801	530 g/m ² (±40 g/m ²)
PH Value – ISO 3071	The pH value should be between 4-9 (four to nine).
Water resistance - ISO 811 (60 ± 3 (sixty plus or minus three) cm H ₂ O/min water rise rate)	There will be a water column of at least 400 (four hundred) mm.
Water resistance after soaking ISO 811 (60 ± 3 (sixty plus minus three) cm H ₂ O / min water increase rate)	There will be a water column of at least 400 (four hundred) mm.
Number of layers of yarn – with a suitable magnifying glass or by removing by hand	At least 2 in the warp direction (two)
	At least 2 (two) in the direction of the weft
Thread frequency - EN 1049-2	In the direction of the warp (at least) : 17 (seventeen) pieces/cm
	In the direction of the weft (at least) : 9 (nine) pieces/cm
Tensile strength - ISO 13934-1 (After waterproofing and flame resistance procedures)	In the warp direction (at least) : 180 (one hundred and eighty) kgf In the direction of the weft (at least) : 120 (one hundred and twenty) kgf
Tear strength - ISO 13937-4 (After waterproofing and flame resistance procedures)	In the warp direction (at least): 6 (six) kgf, In the direction of the weft (at least): there will be 8 (eight) kgf.
Flame resistance	After direct contact with the heat source for 12 (twelve) seconds, the flaming combustion time will be maximum 3 (three) seconds and the charring length will be maximum 2.5 (two and a half) cm and there will be no flaming debris, melting and flaming dripping. (The test method and test components in the previous version of TS 3596 will be used)
Resistance to Microorganisms (Decay Retardancy) - ISO 11721-1	After the experiment, the decrease in tensile strength will be less than 25% (twenty-five percent).

2.8 Technical Characteristics of Synthetic Tarpaulin

Type and Norm	The Minimum Value That Must Be Provided
Material type – Main fabric material – ISO 2076	The material type of the fabric will be 100% (one hundred percent) polyester.
Material type – Coating Material	Coating type will be PVC (front and back of the fabric).
Tarpaulin color	Grey
Area density - ISO 2286-2	At least 450 (four hundred and fifty) g/m ²
Texture - (with appropriate magnifying glass or by removing)	1/1 (one divided by one) ragspun
Tarpaulin image	The tarpaulins shall be free of tears, cuts, holes, punctures, punctures, pot holes, curvature and unusual offensive odors.
UV protector	UV stabilizer compounds will be used against ultraviolet rays and to prevent yellowing.
Dimensional invariance	24 (twenty-four) hours at 70 ± 3 (seventy plus minus three) °C, the amount of shrinkage shall be maximum 2% (two percent) and the amount of elongation shall be maximum 1% (one percent).
Resistance to heat	After the samples kept at 70 ± 3 (seventy plus minus three) °C for 24 (twenty-four) hours, there shall be no softening, adhesion, sagging and deformation after the samples are brought to room temperature.
Resistance to cold	The samples kept at -40 ± 3 (forty plus minus three) °C for 6 (six) hours will not be cracked, broken or deformed after they are brought to room temperature.
Aging by temperature - ISO 176	The mass loss in the coating material shall be maximum 5% (five percent).
Water resistance - EN 1734	The water pressure resistance value of the tarpaulin shall be at least 5.000 (five thousand) mm water column.
Total amount of phthalates - EN 14372	It will be no more than 1000 (thousand) ppm.

Flame resistance	After direct contact with the heat source for 12 (twelve) seconds, the flaming burning time will be at most 4 (four) seconds, the embering time will be at most 8 (eight) seconds and the ratio of the burning and embering canvas area to the test sample area will be at most 40% (forty percent) and there will be no flaming debris and flaming dripping. (The test method and test components in the previous version of TS 3596 will be used)
Friction resistance - EN 530 Martindale Method 2 (using 9 A sandpaper at 280 kPa pressure)	At the end of 9,000 (nine thousand) cycles, none of the weft and warp yarns of the tarpaulin will be broken.
Breaking strength of tarpaulins - ISO 1421 Method-1	Production direction (minimum) : 2,000 (two thousand) N Perpendicular to the production direction (minimum) : 1,500 (one thousand five hundred) N
Tear strength of tarpaulins - Method A in ISO 4674-1	Production direction (minimum) : 250 (two hundred and fifty) N Perpendicular to the production direction (minimum) : 200 (two hundred) N
Degree of adhesion (blocking) - ISO 4674-1: 2016	Surfaces will not be damaged during separation.

2.9. Specifications of Polyethylene Tarpaulin

Type and Norm	The minimum value that must be provided
Material type – Main fabric material – ISO 2076	100% (one hundred percent) HDPE
Material type – Coating material	100% (one hundred percent) LDPE (Both sides of the fabric)
Area density – ISO 3801	At least 175 (one hundred and seventy-five) g/m ²
Before or after coating of tarpaulins	The edge parts will be straight, without threads and without fringes.
Thread frequency- EN 1049-2	In the direction of the warp (at least) : 65 (sixty-five) pieces / 10(ten) cm, In the direction of the weft (at least) : 50 (fifty) pieces / 10(ten) cm
Tensile strength- ISO 1421	In the warp direction (at least) :70 (seventy) kgf, In the direction of the weft (at least) : 60 (sixty) kgf

2.10 Technical Specifications of Fireproof Fabric (carbon based)

Type and norm	The minimum value that must be provided
Type of material – ISO 2076 and other methods in the literature, if necessary	100% (one hundred percent) carbon based felt
Weaving format	Non woven (non woven)
Area density- EN 29073-1	At least 250 (two hundred and fifty) g/m ²

Flame resistance	It must be able to withstand 500 (five hundred) °C degrees of heat.
------------------	---

2.11 Fly Screen Tulle Specifications

Type and Norm	The minimum value that must be provided
Type of material – ISO 2076 and other methods in the literature, if necessary	Tulle will be made of triacetate or PVC coated glass fiber reinforced material.
Weaving format	1/1 (one divided by one) ragspun
Area density – ISO 3801	At least 110 (one hundred and ten) g/m ²
Thread frequency - EN 1049-2	In the warp direction (at least) : 7 (seven) pieces/cm, In the direction of the weft (at least) : 6 (six) pieces/cm
Tensile strength - ISO 13934-1	In the warp direction (at least) : 350 (three hundred and fifty) N, In the direction of the weft (at least) : 300 (three hundred) N

2.12 Plastic Zipper and Cursor Specifications

Type and Norm	The minimum value that must be provided
Determination of zipper plastic material type	Zipper teeth will be made of 100% (one hundred percent) polyester material.
Type of zipper textile material – ISO 2076 and other methods in the literature if necessary	The zipper strip will be made of 100% (one hundred percent) polyester yarn.
Dimensions of zipper strips and teeth	Spiral width: 10 (ten) mm, +0.4 (plus zero exactly four tenths) mm, -0.2 (minus zero exactly two tenths) mm, Spiral thickness: 3 (three) mm +0.3 (plus zero exactly three tenths) mm, -0.1 (minus zero exactly one tenth) mm, Zipper combined width: 40 (forty) ±2.2 (plus minus two full tenths) mm Zipper strip width (single side): 20 (twenty) ±1.1 (plus minus one full tenth) mm
Breakage and chain resistance (in the direction of zipper width length) - EN 16732	Chain resistance under zipper transverse and longitudinal force shall be at least 1.200 (one thousand two hundred) Newton Force.
Operating durability of the zipper under longitudinal and transverse forces - EN 16732	There will be at least 500 laps.
Fixing strength of the handle to the cursor - EN 16732	The grip strength on the cursor will be at least 300 (three hundred) Newton Forces.
The withstand resistance of the cursor mouth -EN 16732	The deformation resistance of the cursor mouth will be at least 200 (two hundred) Newton Forces.

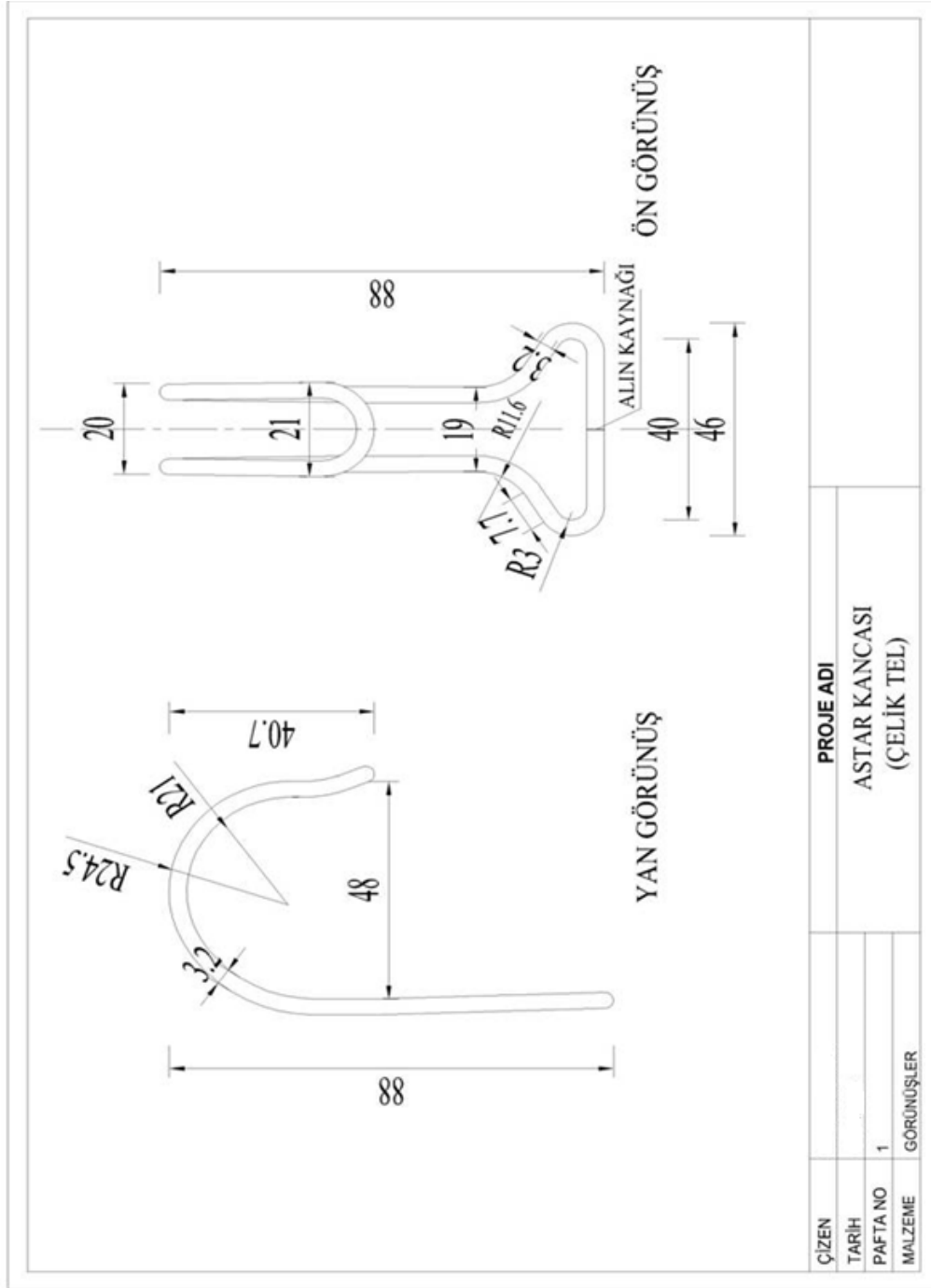
2.13 Specifications of Textile Zipper (Velcro Tape)

Type and Norm	The minimum value that must be provided
Type of material – ISO 2076 and other methods in the literature, if necessary	it will be 100% (one hundred percent) polyamide.
Velcro tape width	3 (three) ±0.2 (zero exactly two tenths) cm

Minimum transverse separating force - EN 12242	At least 2.5 (two and a half) N/cm after opening and closing once
Minimum longitudinal separating force - EN 12242	At least 10 (ten) N/cm ² after opening and closing once

2.14 Liner Hook (Steel Wire) Specifications

Type and Norm	The minimum value that must be provided
Type of material	Steel wire
Wall thickness	it will be 3.2 (three exactly two tenths) ± 0.2 (plus minus zero exactly two tenths) mm.
Joining of steel wire end parts	By butt welding or by wrapping spring wire
Galvanized coating method	After the butt welding operations at the bending and joining point of the hooks, the entire surface shall be galvanized with zinc using electro galvanized coating method to prevent rust.
Anti-rust resistance - ISO 22775	After 48 (forty-eight) hours of application of the method 2 test, there shall be no change or rusting other than slight discoloration of the lining hook and the fabric used in the test shall be free of rust stains.
Tensile strength - ISO 6892-1	It will be at least 4,500 N (four thousand five hundred) including welding locations. This item will not be required if the spring wire is wound.
Technical drawing-2	



TECHNICAL DRAWING-2

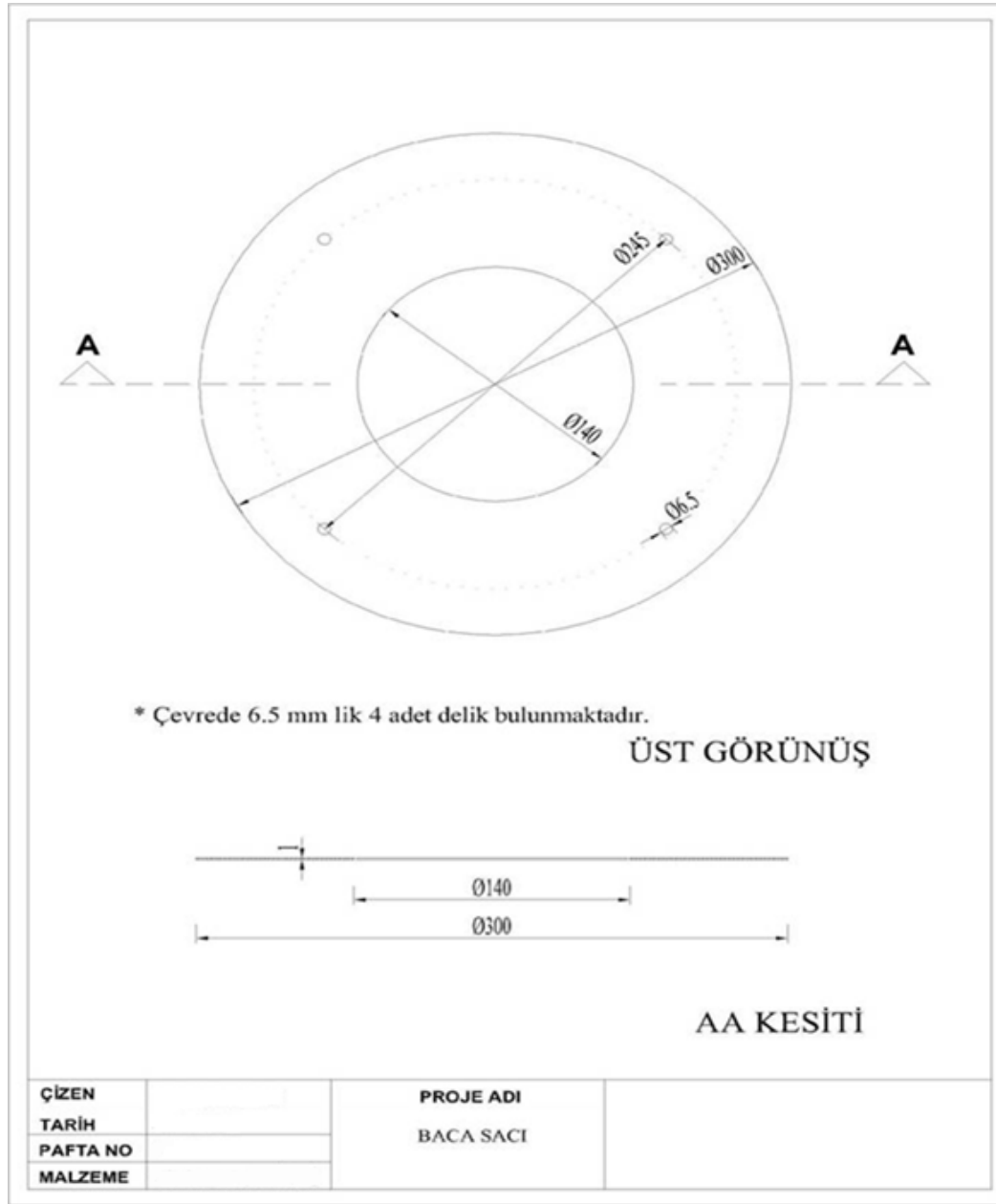
2.15 Mineral Ring Specifications

Type and Norm	The minimum value that must be provided
Type of material	Ç 1020
Rings will be welded together by welding at the joints and no openings will be visible at the welds Rings will be full circle and galvanized	
Dimension measurements	Thickness: 4.3 ± 0.5 (four-tenths plus minus zero exactly five-tenths) mm, Inner diameter: 34 ± 0.3 mm (thirty-four plus minus zero exactly three tenths) mm

Galvanized coating method	The rings will be galvanized with zinc using electro galvanized coating method to prevent rusting.
Anti-rust resistance - ISO 22775	After 48 (forty-eight) hours of application of the method 2 test, there shall be no change or rusting other than slight discoloration of the mineral ring and the fabric used in the test shall be free of rust stains.
Tensile strength - ISO 6892-1	There will be at least 50 (fifty) kgf, including welding locations.

2.16 Specifications of Chimney Sheet

Type and Norm	The minimum value that must be provided
Type of material	S235JR or DKP 6112 Steel
The chimney sheet shall be galvanized with zinc (hot or electro galvanized coating method).	
Wall thickness	1 (one) ±0.2 (zero exactly two tenths) mm
Dimensions	It will be in accordance with the technical drawing-3. (±1 mm tolerance)



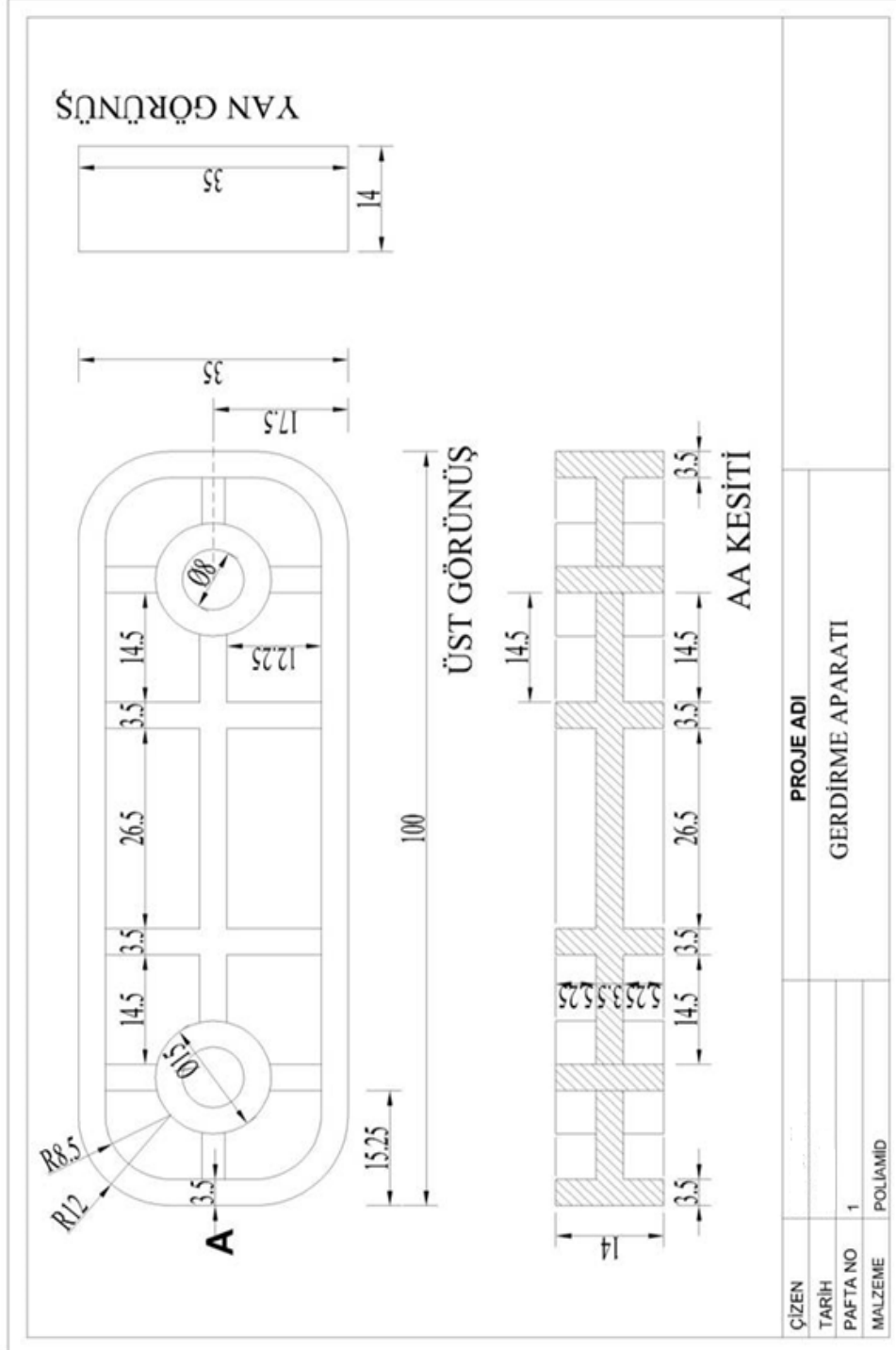
TECHNICAL DRAWING-3

2.17 Specifications of Transparent Acetate

Type and Norm	The minimum value that must be provided
Type of material	PVC
Thickness - ISO 4593	At least 0.5 (zero exactly five tenths) mm, at most 0.6 (zero exactly six tenths) mm
The View	It will be transparent, clear and shiny.
Texture and structure	It will be elastic, there will be no cracking in twists and bends.
Area density - 1 (one) dm ² of the material weighed on a precision balance and proportioned to m ² (average of multiple measurements) or other appropriate method	It will be at least 600 (six hundred) g/m ² .

2.18 Technical Specifications of Tensioning Apparatus

Type and Norm	The Minimum Value That Must Be Provided
Type of material	20% rubber doped polyamide
Color	Red
Density - ISO 1183	1.03-1.06 g/cm ³
Tensile strength – ISO 527-1	Min 35 (thirty-five) MPa
Impact resistance – ISO 180/A	Min 25 (twenty-five) kJ/m ² (izod)
Dimensions	It will be in accordance with the technical drawing-4. (±1 (plus minus one)mm tolerance)



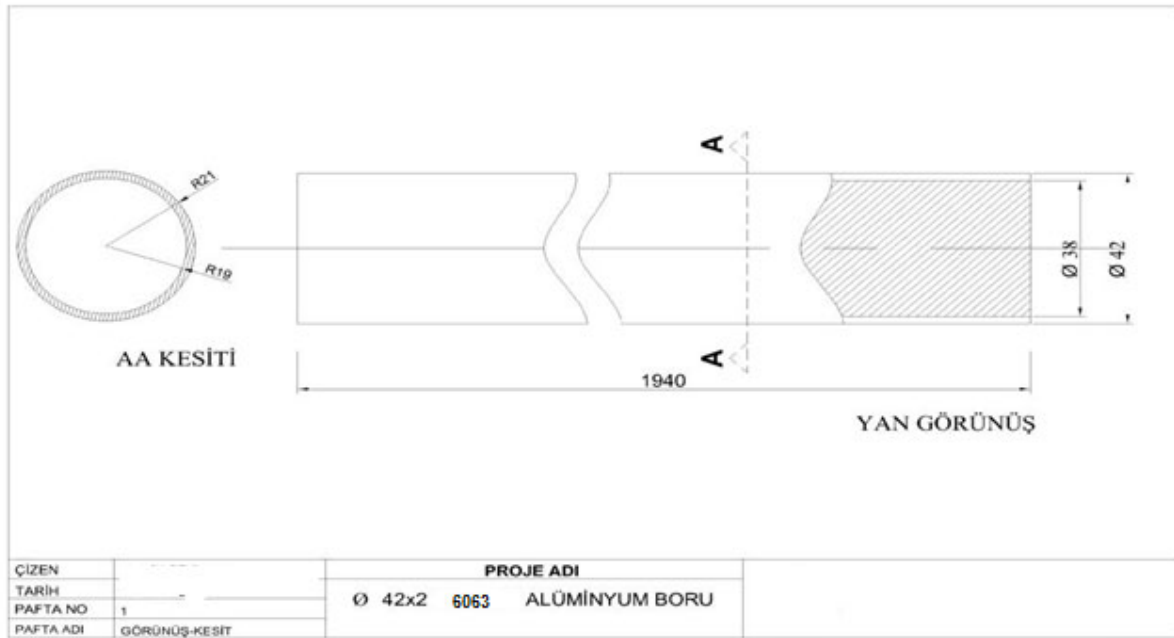
TECHNICAL DRAWING-4

2.19 Technical Specifications of the Sheet

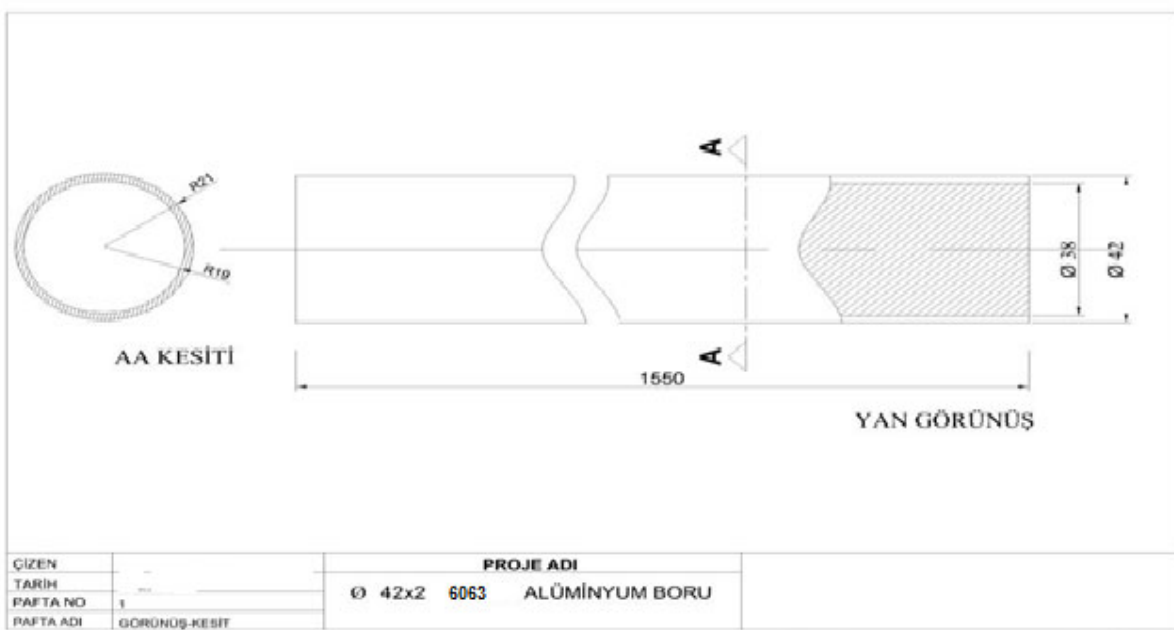
Type and Norm	The Minimum Value That Must Be Provided
Rope diameter - ISO 2307	The diameter of the finished state will be 6 ± 0.5 (six minus plus zero exactly five tenths) mm.
Yarn determination	Internal Structure; High strength polyester yarn Outer sheath; High strength polyester yarn The floor will be white, the prairie color will be flame red, and herringbone knitting will be done.
Rope Structure - ISO 2307 or manually disassembled	Outer sheath: 16 (sixteen) sleeves Internal Structure; High strength polyester The surface of the rope will have a smooth structure, without lint and lint.
Area density - ISO 2307	At least 28.7 (twenty-eight full seven tenths) g/m
Tensile Strength - ISO 2307	At least 650 (six hundred and fifty) kg

2.20 Aluminum 6063 Ø42x2 mm Matte White Anodized Aluminum Pipe Specifications

Type and Norm	The minimum value that must be provided
Type of material	Matte White Anodized Aluminum 6063 Pipe Temper 6 treated.
Dimensions and quantities of pipes	Ø 42x2 Aluminum 6063 matt white anodized pipe (1940 mm) (tensioning plate and foot shoe mounted, for base) 6 (six) pcs,
	Ø 42x2 Aluminum 6063 matt white anodized pipe (1940 mm) 6 (six) pieces (for roof)
	Ø 42x2 Aluminum 6063 matt white anodized pipe (1550 mm) 6 (six) pieces
Anodized coating	≥ 12 (twelve) microns, the anodized surface shall be free of ripples and surface roughness.
Tensile strength	≥ 200 (two hundred) Mpa
Yield strength	≥ 165 (one hundred and sixty-five) Mpa
Hardness	≥ 70 (seventy) HB
Dimensions	It will be in accordance with technical drawing-5 and Technical drawing-6. The tolerance is only in height and ± 3 (plus minus three) mm.



TECHNICAL DRAWING-5

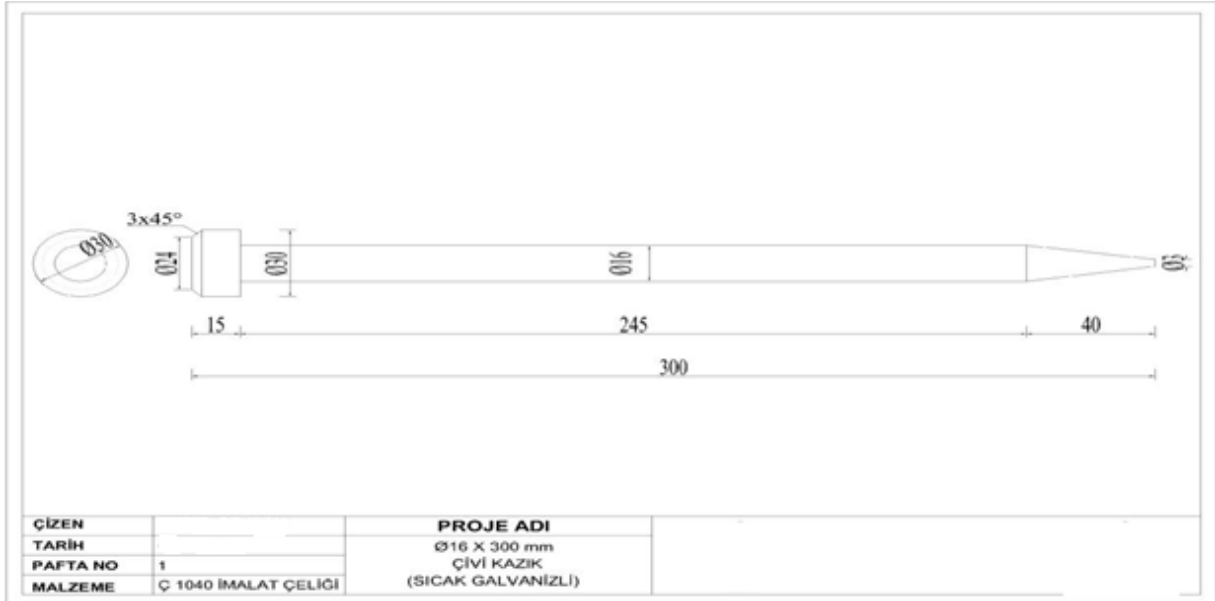


TECHNICAL DRAWING-6

2.21 Technical Specifications of Nail Pile

Type and Norm	The Minimum Value That Must Be Provided
Type of material	Ç 1040
The nail pile will be galvanized with zinc.	
Hardness	At least 200 (two hundred) HV for the head and trunk part, at least 250 (two hundred and fifty) HV for the end part

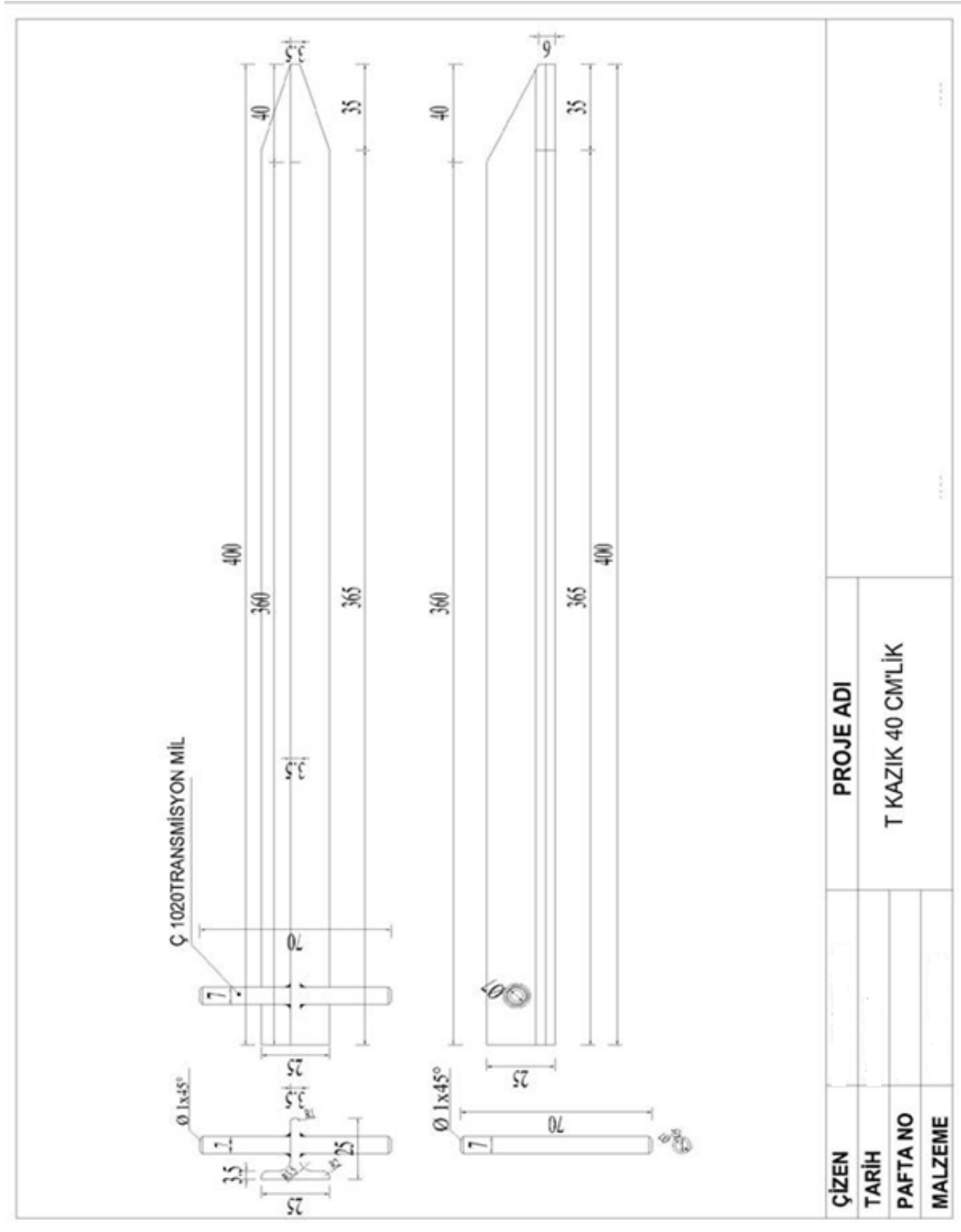
Dimensions	It will be in accordance with the technical drawing-7. The tolerance is in height and ± 2 (plus minus two) mm.
------------	---



TECHNICAL DRAWING-7

2.22 Technical Specifications of Tensioning T Pile

Type and Norm	The Minimum Value That Must Be Provided
Type of pile material	S235JR
Type of pile pin material	Ç 1020 (Pins will be welded with gas metal arc welding)
The tension T pile will be galvanized with zinc.	
Dimensions	It will be in accordance with technical drawing-8 and Technical drawing-9. The tolerance is ± 3 (plus minus three) mm in length.

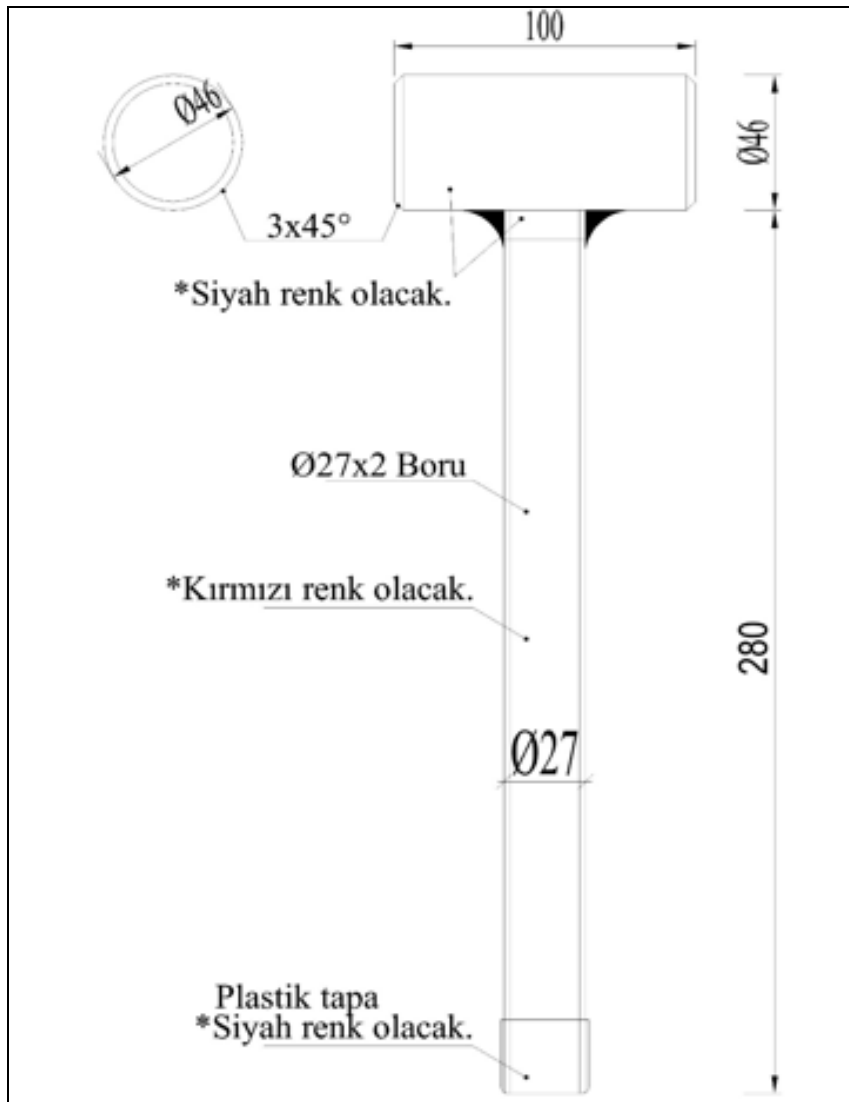


TECHNICAL DRAWING-8

2.23 Disaster Tent Hammer Specifications

Type and Norm	The minimum value that must be provided
Type of material	S235JR
Hammerhead	The diameter of the hammer head will be $\text{Ø}46 \pm 1$ mm and $3 \times 45^\circ$ chamfers. It will be painted with black industrial paint.

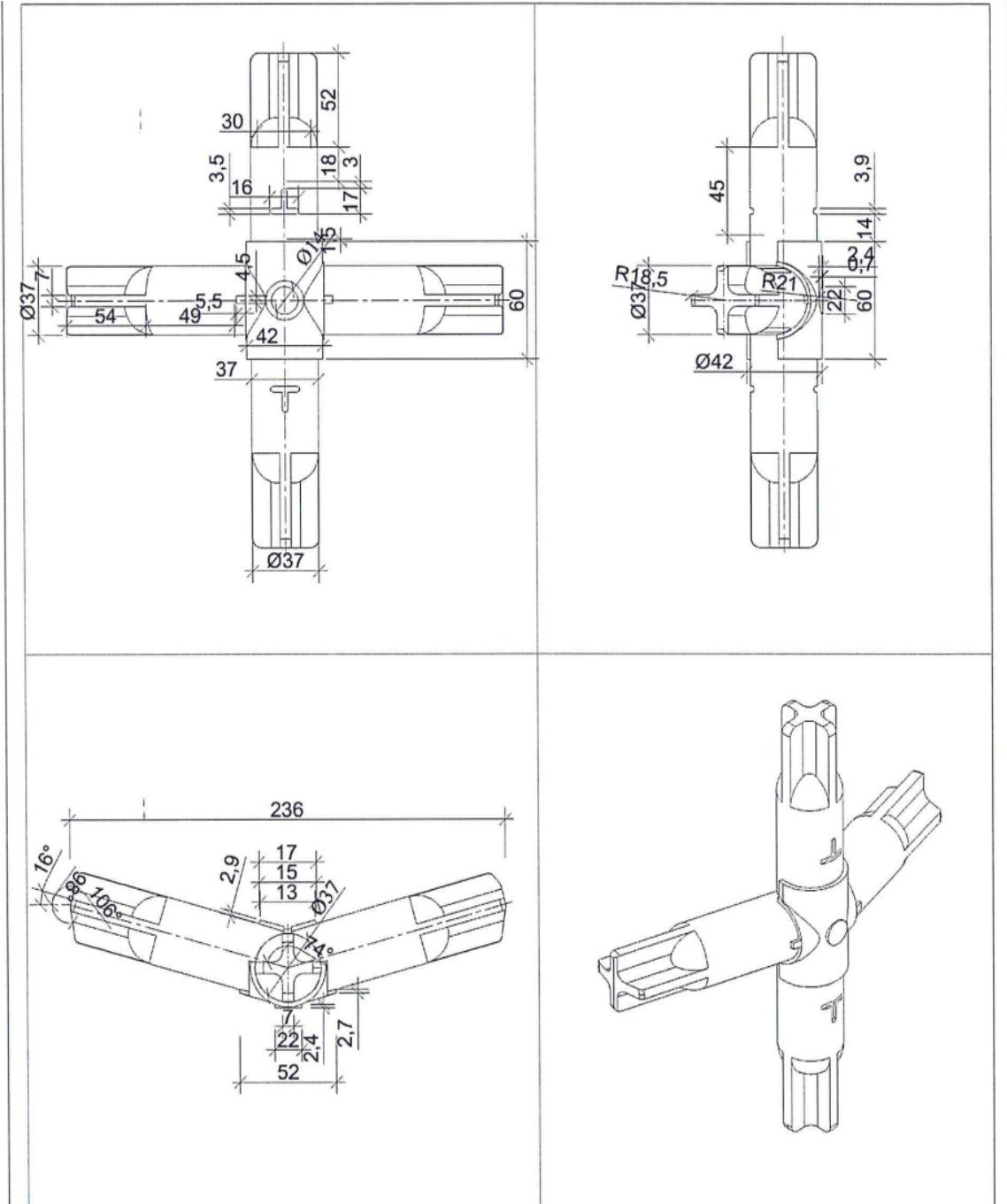
Rated weight of the hammer	The rated weight of the hammer will be at least 1,500 (one thousand five hundred) gr. (-100 (hundred)gr, +150 (hundred and fifty)gr tolerance)
The handle of the hammer	It will be 28 (twenty-eight) cm long from the Ø27x2 mm pipe. The handle shall be welded to the hammer head by gas metal arc welding and no openings shall be visible at the welds. The handle part will be painted with red industrial paint. The back of the handle part will be closed with a black plastic plug.
Dimensions	It will be in accordance with the technical drawing-10. (Length tolerance ± 3 (plus minus three) mm)



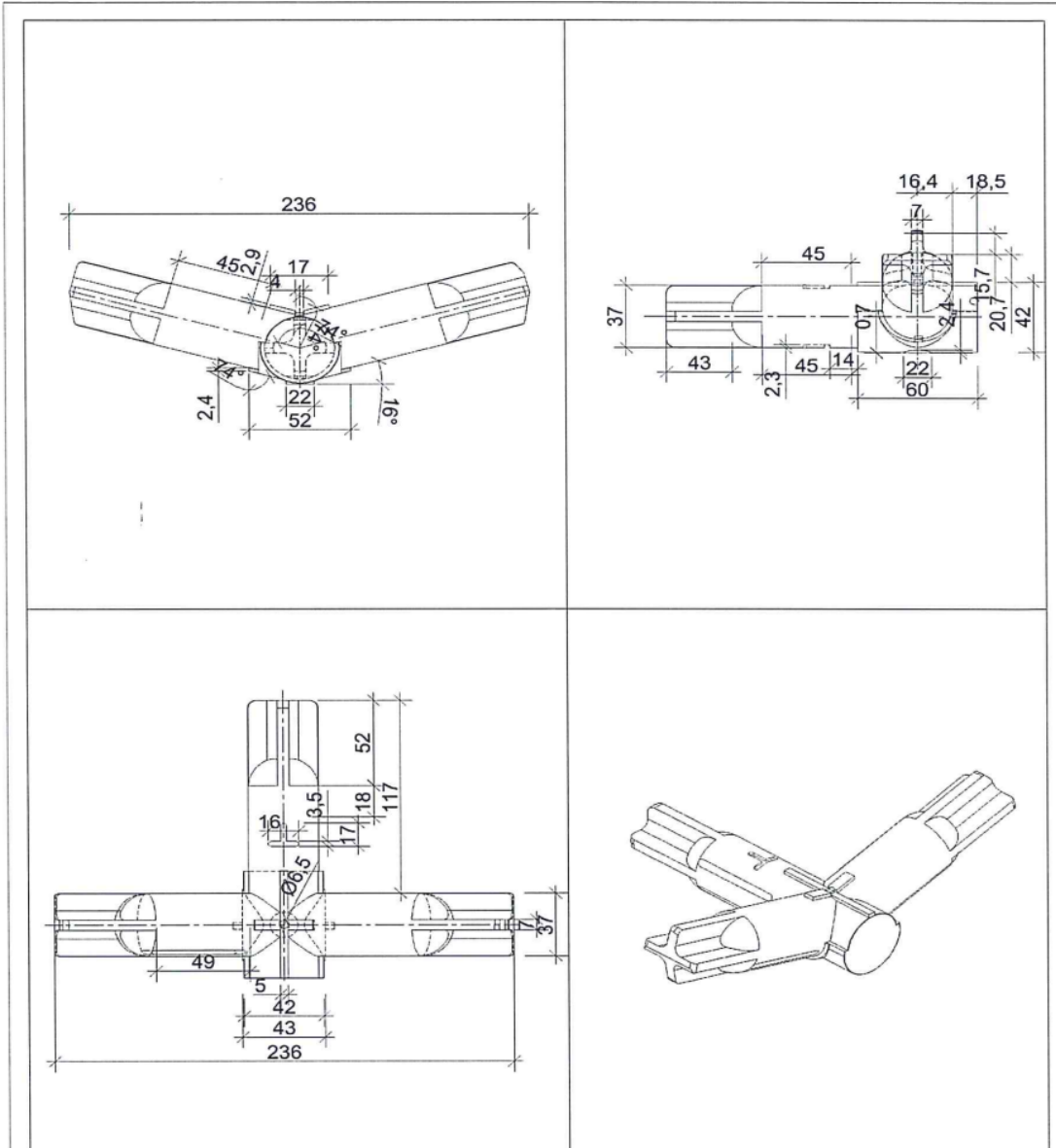
TECHNICAL DRAWING-10

2.24 Technical Specifications of Interconnection 4-piece-3-piece Parts and Foot Shoe

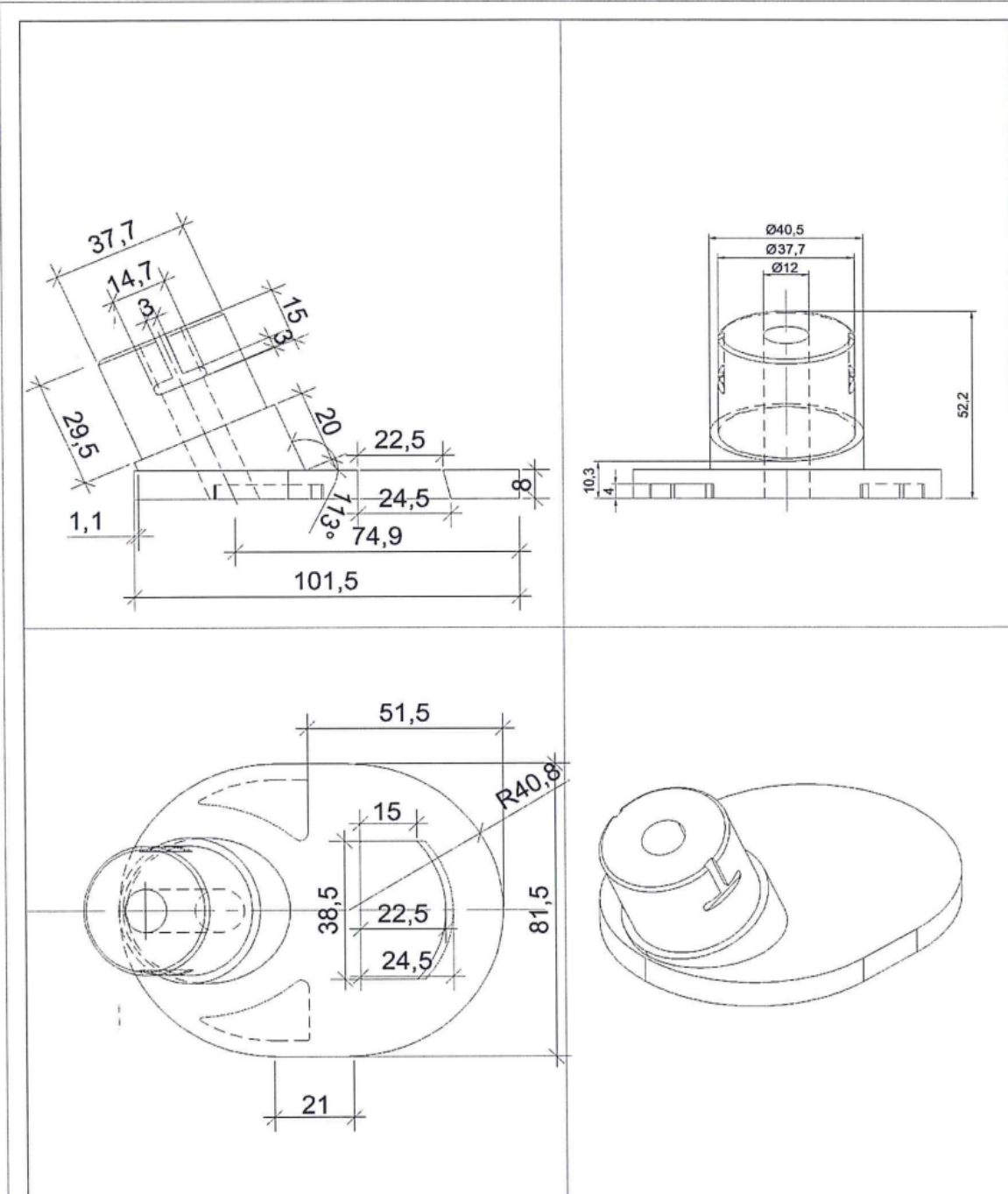
Type and Norm	The Minimum Value That Must Be Provided
Type of material	20% rubber doped polyamide
Production method	There will be no burrs, cracks, fractures and manufacturing defects. Primary (original) raw material will be used in the production.
Color	White
Density- ISO 1183	1.03-1.06 g/cm ³
Tensile strength – ISO 527-1	Min 35 (thirty-five) MPa
Impact resistance – ISO 180/A	Min 25 (twenty-five) kJ/m ² (izod)
Dimensions	It will comply with technical drawing-11, Technical drawing-12 and Technical drawing-13.



TECHNICAL DRAWING-11



TECHNICAL DRAWING-12

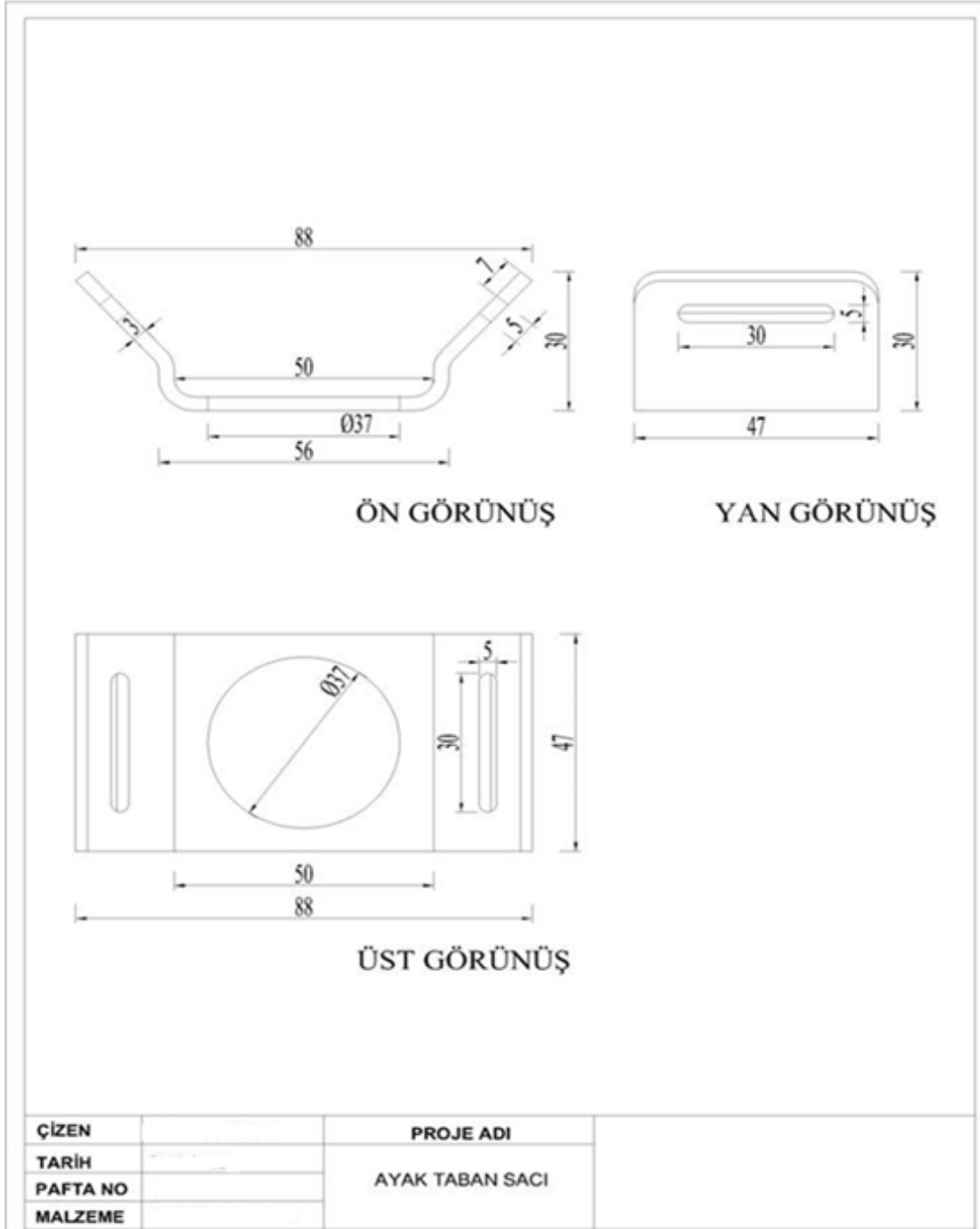


TECHNICAL DRAWING-13

2.25 Technical Specifications of Foot Plate

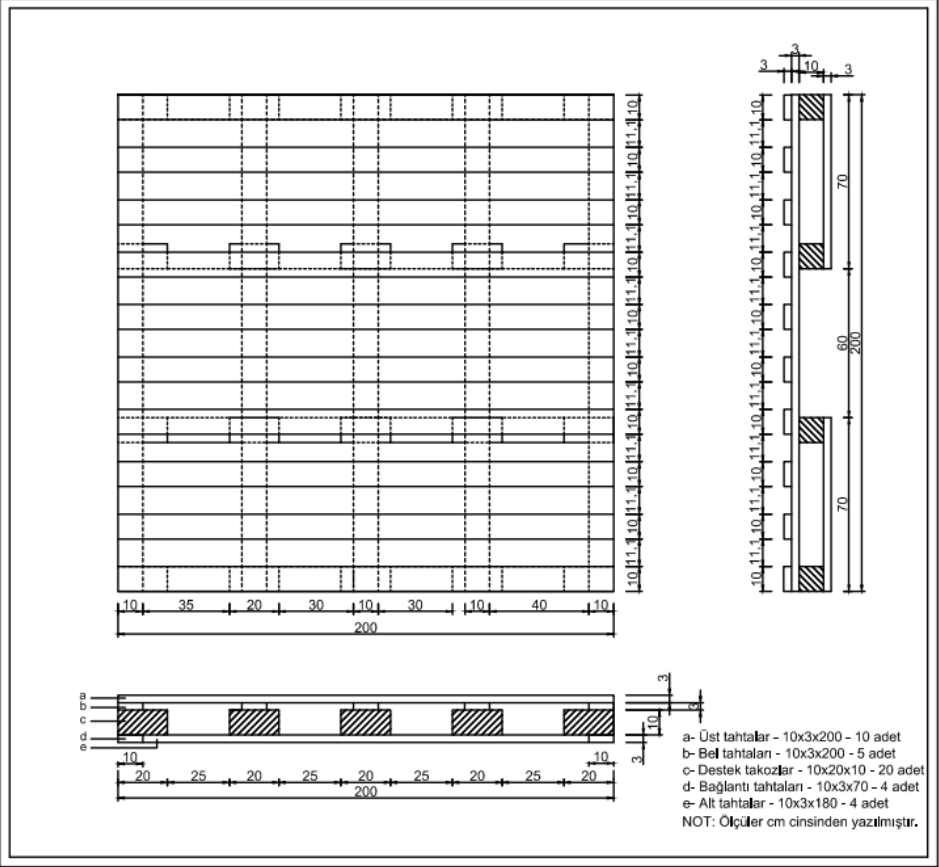
Type and Norm	The Minimum Value That Must Be Provided
Type of material	S235JR
Galvanized coating method	The entire surface of the foot plate shall be galvanized with zinc to prevent rusting.

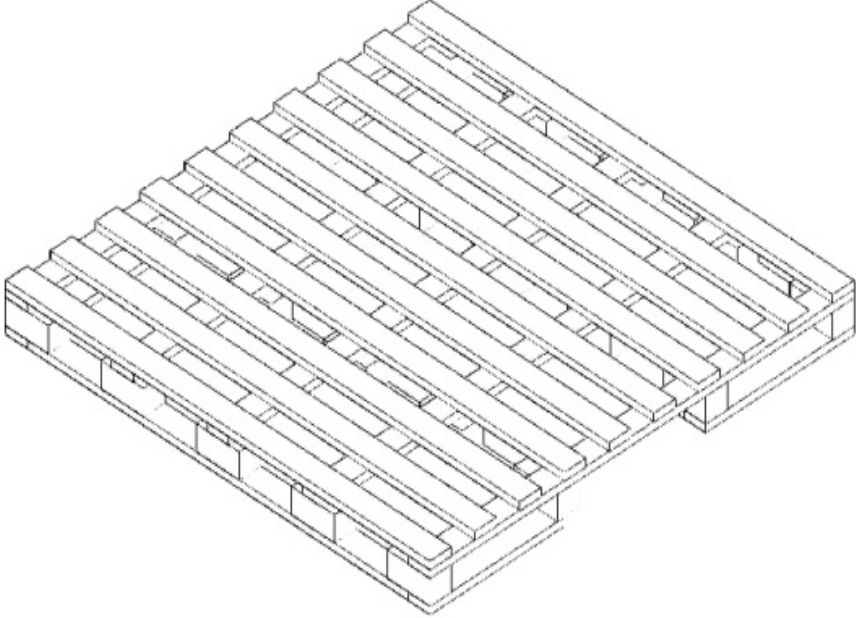
Anti-rust resistance - ISO 22775	After 24 (twenty-four) hours of application of the method 2 test, there shall be no change or rusting other than slight discoloration of the foot sheet and the fabric used in the test shall be free of rust stains.
Production method	There will be no burrs, cracks, fractures and manufacturing defects.
Dimensions	It will be in accordance with the technical drawing-14.



TECHNICAL DRAWING-14

2.26 Pallet Specifications

Specifications	Explanation
<p>Palette Picture (From above)</p>	 <p>The drawing includes three views of the pallet: a top view showing a 200x200 cm grid with dimensions (10, 35, 20, 30, 10, 30, 10, 40, 10) and a total width of 200; a side view showing a height of 200 cm with a 70 cm wide top section and a 60 cm wide bottom section; and a cross-section view showing the internal structure with labels a, b, c, d, e and dimensions (10, 20, 25, 20, 25, 20, 25, 20, 25, 20, 10).</p> <p>Legend:</p> <ul style="list-style-type: none"> a- Üst tahtalar - 10x3x200 - 10 adet b- Bel tahtaları - 10x3x200 - 5 adet c- Destek takozları - 10x20x10 - 20 adet d- Bağlantı tahtaları - 10x3x70 - 4 adet e- Alt tahtalar - 10x3x180 - 4 adet <p>NOT: Ölçüler cm cinsinden yazılmıştır.</p>

Palette Picture		
Pallet Dimensions	Pallet Size From Outside to Outside	200cm x 200cm
Type of material	It will be made of 3rd Class Pine Lumber	
Specifications of the Nails to Be Used	28x90 Ring Nails, Nailings shall be machine driven with helical nails with sufficient strength.	
Features of Wooden Board	There will be no cracks in the wooden planks	
ISPM	Will be subjected to "ISPM 15 Heat Treatment" (Report to be submitted)	
Technical Specifications	<p>All measurements should be in cm (centimeters) so that;</p> <p>Top boards - 10x3x200 - 10 pcs</p> <p>Waist boards - 1 0x3x200 - 5 pcs</p> <p>Support wedges - 10x20x10 - 20 pcs</p> <p>Connecting boards - 1 0x3x70 - 4 pcs</p> <p>Bottom boards - 10x3x180 - 4 pcs</p>	
	The impregnation will be applied in green/brown color to prevent all kinds of bedbugs, insects and damage to the wooden structure.	
	The material shall be dry, clean and sound and free of mold, mildew, worms and watering.	

	Newly cut logs from the forest will not be used in pallet production.
	There will be no bruises, no eaten by worms, no fallen knots and arches.
	The material shall not be the old flat goods.
	The material will consist of one piece, it will not be attached.
	The pallets will be subjected to a drying process to reduce humidity.

2.27 Technical Specifications of Felt

Type and norm	The minimum value that must be provided
Type of material – ISO2076 and other methods in the literature, if necessary	100% (one hundred percent) polyester
Weaving format	Non woven (non woven)
Area density- EN 29073-1	At least 350 (three hundred and fifty) g/m ²
Tensile strength - EN 29073-3	Manufacturing direction at least: 400 (four hundred) N, In the perpendicular direction from the manufacturing direction at least: 600 (six hundred) N
PH - ISO 3071	should be between 4-9 (four to nine).
Non-woven fabrics shall be free of holes, tears, punctures, pot holes, curvature on the edges and the whole, creeping on the edges and unusual offensive odor and dirt (oil, etc.). In addition, halogen-containing and/or salt-based chemical raw materials such as ammonium polyphosphate, etc. that cause corrosion and dusting will not be used.	
Tear resistance - ISO 9073-4	Manufacturing direction at least: 250 (two hundred and fifty) N, In the perpendicular direction from the manufacturing direction at least: 300 (three hundred) N
Thickness - ISO 9073-2	At least 1.6 (one full six tenths) mm, at most 2 (two) mm
Flame Resistance - DIN 4102	It will be suitable for class B2 fireproof.

2.28. The defects that may be found in the tents and what kind of defects these defects should be considered, the defect definitions to be used in physical examinations are given in Table-1:

Table-1 Errors to be Used in Tent Physical Examination

Type of Error	Description and Explanation of the Error	Classification		
		Critical	Major	Small
Tarpaulin, fabric, tulle, etc. errors	Torn, hole, cut, etc. defects	X		
Metal parts Mounting	Failure of the connection and fitting places (loose or too tight) of the skeleton parts	X		
Sewing errors	The sewing ends are not reinforced as indicated		X	
	Seam defects such as seam puckering, seam pivoting that spoil the appearance		X	
	Chain stitching due to seam misalignment		X	
	Uncut, uncleaned and dangling sewing thread			X
	Missing edge closure seams		X	
	Stitch clumping and skipped stitches anywhere that are easily recognizable and deteriorate the appearance.		X	
	Not using appropriate sewing threads (using threads of different size and type)		X	
Velcro tape Column errors	Having unsewn space (10 (ten) mm and more).		X	
	Shape, type disorders		X	
Incomplete or different Parts	Inability to perform the function	X		
	Any part is missing or different or in the wrong place	X		
Zipper	Inability to perform the function	X		
	Loose sewing or improper sewing of the zipper to the fabric	X		
Doors and windows	Making doors and windows outside the specified dimensions.		X	
Roof and Floor tarpaulin	Fold allowance of less than 3 ± 0.5 (three plus or minus zero tenths of an inch) when joining the roof and floor tarpaulin.		X	
	Defective and flimsy adhesion of the tarpaulin	X		
	The height at which the tarpaulin will adhere to the side walls is more than 5 (five) cm less than specified.		X	

3.SAMPLING

3.1. The missing amount of material after all sampling processes shall be completed by the CONTRACTOR. In addition, the closure, renewal and repair of the tents and their packaging that deteriorate after sampling will be carried out by the CONTRACTOR free of charge.

3.2. All tents delivered at one time will be considered as one batch. Samples will be taken from the tents in the quantities specified in Table-2 for the physical examination of each batch received and in the quantities specified in Table-3 for the laboratory analyzes to be performed.

Table-2 Sampling and Acceptable Error Numbers for Physical Examination

Batch Size Available For Examination (Pcs.)	Amount to be Taken as Sample (Pcs.)	Acceptable Number of Critical Errors (Pcs.)	Acceptable Number of Major Errors (Pcs.)	Acceptable Total Number of (Critical- Major and Small) Errors (Pcs.)
500 and less	5	1	3	10
501 – 1.000	7	2	5	13
1.001 – 5.000	10	3	7	20
5.001 – 10.000	15	4	10	25
10.001 and above	20	6	14	35

Table-3 Sampling For Laboratory Control of Chemical Properties

Batch Size Available For Examination (Pcs.)	Tent To Be Taken As A Sample (Pcs.)
5.000 and less	1
5.001 and above	2

3.3. Any sampling will be done by random sample selection method.

4.INSPECTION AND EXAMINATION METHODS

4.1. All costs related to the examinations shall be borne by the CONTRACTOR. The amount of material missing during the examinations shall be completed by the CONTRACTOR.

4.2. The company that will participate in the tender will produce one tent with the desired specifications from the materials specified in the Technical Specifications and install it as a witness sample based on the purchase with all its equipment in the place to be shown by the tender commission and shall submit to the tender commission the test reports obtained from test centers and/or accredited institutions and organizations within public universities for the materials specified in Article 2.6 of the Technical Specification. If the procurement sample is deemed appropriate after physical examination and examination of the test reports, it will be able to participate in the tender.

4.3. All tents delivered at one time will be considered as one batch. In each batch, pallets and packaging will only be subjected to physical examination, and tents (with all equipment) will be subjected to physical examination, and test reports to be obtained by the CONTRACTOR from test centers and/or accredited institutions and organizations within public universities will be submitted to the examination commission. The amount of material missing during the examinations shall be completed by the CONTRACTOR.

4.4. The examination commission / commissions to be formed will examine the physical suitability of the tent (with all its equipment) in the amount specified in Table-2 according to the specifications and error table specified in the Technical Specifications and the results of the examination will be determined with a report.

4.5. The contractor shall submit to the administration the test report that the amount of tent (with all its equipment) specified in Table-3 from each batch of tents to the test centers and / or accredited institutions and organizations within the public universities and that it is produced from the materials specified in Technical Specification 2.6. used in tent production.

4.6. Products found to have critical and major defects in physical examination shall be replaced by the CONTRACTOR before delivery.

4.7. If the number of critical and major defects detected in the physical examination of the materials does not exceed the acceptable number of defects specified in the Technical Specifications separately and the physical examination is deemed appropriate by the examination and acceptance commission to be established and the test report to be submitted to the examination commission by the CONTRACTOR is deemed appropriate as a result of the examination of the test report and the batch applied for acceptance will be delivered by the CONTRACTOR to the relevant delivery addresses and delivery will be realized.

4.8. If the results of the physical examination of the tents are outside the acceptable error limits and the physical examination is not deemed appropriate by the examination acceptance commission / commissions to be established, the batch submitted for examination may be rejected.

4.9. If the materials in the rejected batch have the logo of the ADMINISTRATION or an element indicating the ADMINISTRATION on them, the said logo or signs on the relevant materials shall be removed by the CONTRACTOR under the supervision of the ADMINISTRATION or the relevant material shall be destroyed.

4.10. Samples taken for physical examinations (in terms of dimensions and tolerances) shall be subjected to examination using appropriate measuring instruments. Precision scales and micrometric calipers shall be used in matters requiring precise measurement. Where no tolerance is specified for the relevant material, a tolerance of $\pm 5\%$ (plus or minus 5 percent) shall be applied on the value of the feature to be inspected.

4.11. It is essential to use the test method and/or standard specified in the Technical Specifications for material properties in physical examination and laboratory examinations. In cases where no test method is specified and / or more than one method can be used, analysis can be performed with the method that the commission / commissions or laboratory (s) deems appropriate among national and / or international standards and specifications. In cases where it is possible to use more than one method for the features, the desired feature and the control results obtained will be interpreted and decided in favor of the ADMINISTRATION.

4.12. The laboratory results will be evaluated together with the physical examination reports and it will be decided whether they are suitable for acceptance or not.

4.13. If the contractor company or its legal representative is not present at the examinations, it will be deemed to have accepted the report issued at the end of the examinations.

4.14. The CONTRACTOR shall be responsible for accidents and damages that may occur with the goods and services delivered during the examination.

5. PACKAGING

5.1. For shipment, tents shall be placed on pallets (200 pallets) as specified in Article 2.26. in 20' (twenty) pieces each (4 (four) side by side, 5 (five) rows on top of each other), each row on the pallets shall be placed perpendicular to each other and will be fixed on the pallet by strapping at least

2 (two) points at least 25 (twenty-five) cm inside (from a suitable place) the ends of the long side of the tents in each row except the top row, and at least 4 (four) points in the last row, with at least a strap strip. The tents on the pallet will be stacked in such a way that they will not fall apart when placed on top of each other.

5.2. Packaging (pallets and palletizing) costs are also included.

6.WARRANTY TERMS

6.1. Tents will be guaranteed for 3 (three) years against fabricated production defects from the date of production. Tents will be directly replaced if they cannot be set up when they are taken out of the saddlebag, if there are tears in the tarpaulins, lining or if any of the zippers are defective.

6.2. The CONTRACTOR shall, for a period of 10 (ten) years, if requested by the ADMINISTRATION, provide the supply of the requested part or parts at the market price(s) of the requested period, provided that all parts of the tent equipment are paid for.

7.OTHER MATTERS

7.1. The CONTRACTOR shall pay for the patent rights to the product or products and/or any part of the products to be provided by the CONTRACTOR and shall be liable for any damages, claims and lawsuits arising from the infringement of any patent rights. The ADMINISTRATION shall not be responsible for any damages that may arise due to this.

7.2. During the tender process, tenderers shall submit their bids as unit cost.

7.3. The duration of the work will begin with the signing of the contract. The total duration of the work is 45 (forty-five) calendar days. Deliveries will be made in 2 (two) batches. The delivery time of the first batch is 30 (thirty) calendar days from the start of the work. The delivery time of the second batch will be made in such a way that it will be 45 (forty-five) calendar days from the start of the work. Examination and acceptance procedures will be performed for each batch. Payment will be made for the accepted batch under partial acceptance.

7.4. The tents will be delivered in 2 equal batches to the Turkish Red Crescent Adana Logistics warehouse after customs clearance in Istanbul.

7.5. All deliveries are covered by the work. The unloading porters at the delivery address shall also be covered by the CONTRACTOR.

7.6. In the event that the CONTRACTOR fails to apply for examination and acceptance within the scope of the relevant delivery within the delivery periods specified in the Technical Specifications, a delay penalty of 0.4% (four per thousand) of the relevant batch price will be applied for each calendar day of delay.

7.7. The unit cost to be offered for the tent shall include the costs of all sub-works and operations (palletizing, delivery, etc.) within the scope of the work.

7.8. If deemed necessary, the ADMINISTRATOR may change the delivery addresses and the numbers sent to the delivery addresses. These deliveries will be made by the CONTRACTOR at no cost.

8.PICTURES AND DIMENSIONS



