



Save the Children

Drawing contents:

Lot 1: Container House – AFAD standard- 7mx3m

Lot 2: Container accommodation house 7mx3m – Specifications are similar with AFAD

Lot 3 : Container house – accommodation 7mx6m

Lot 4 : Class room, Office or other room (7mx6m)

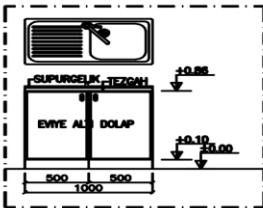
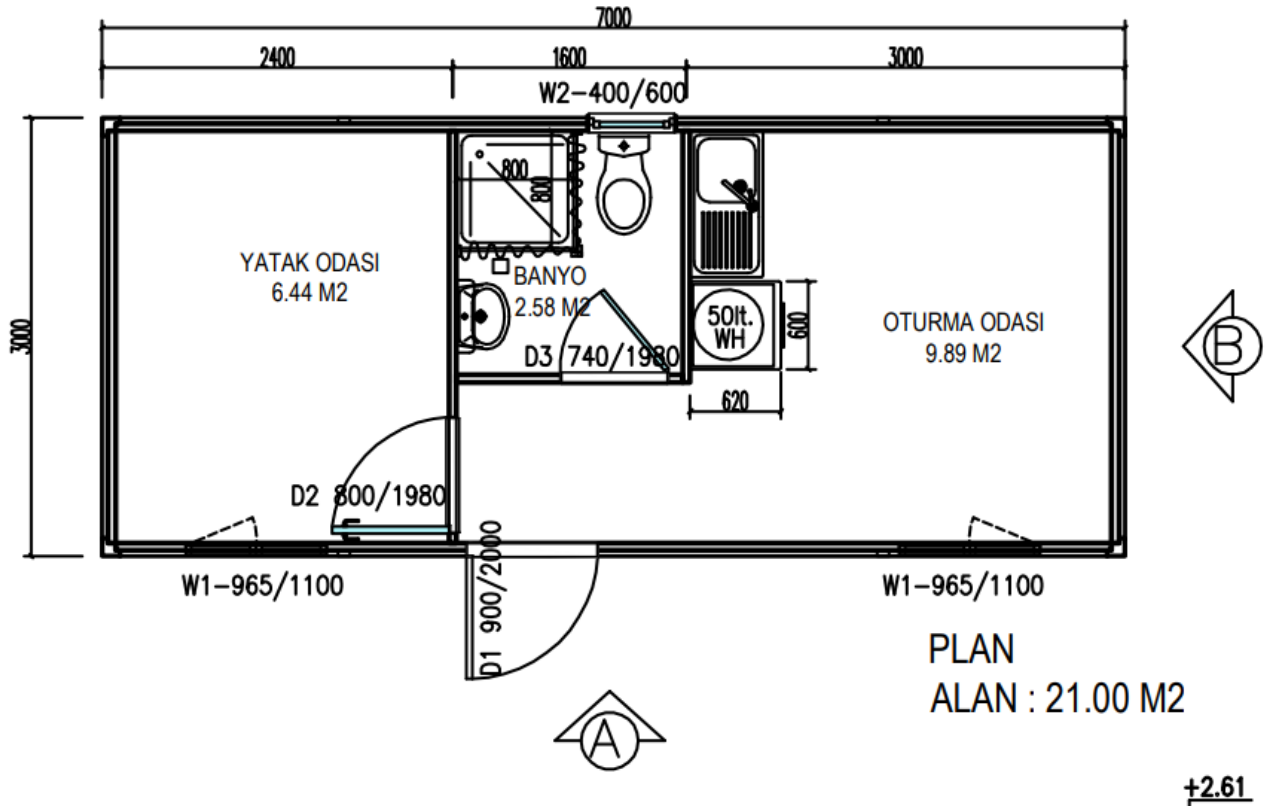
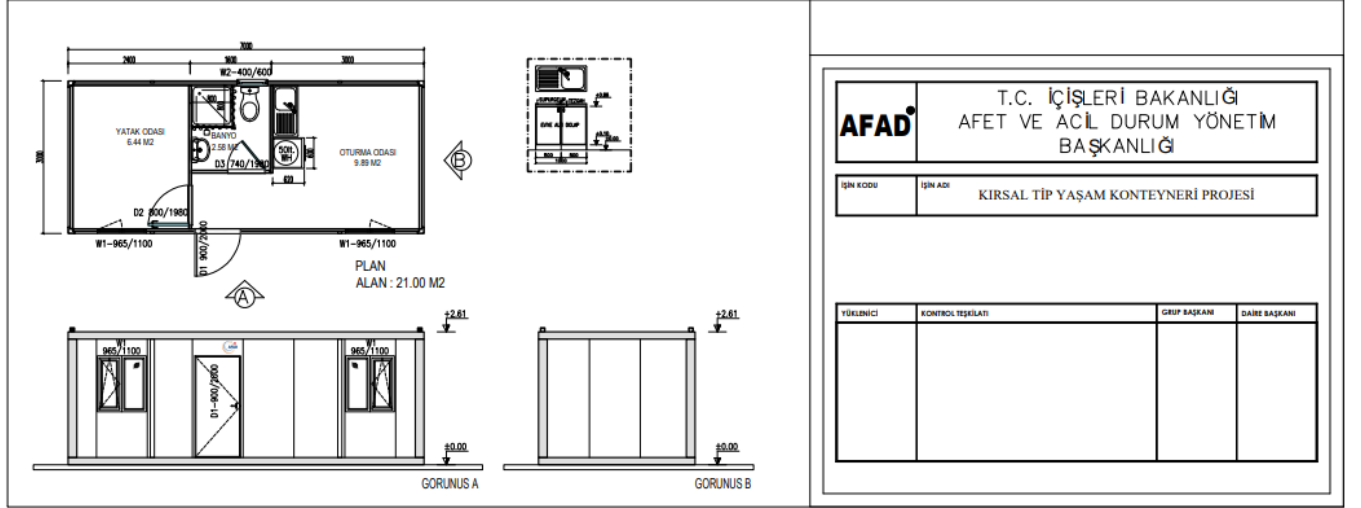
Lot 5 : Office or other rooms (7mx 3 m) – Empty Containers

Note: All the specifications of materials are similar with AFAD guidelines.

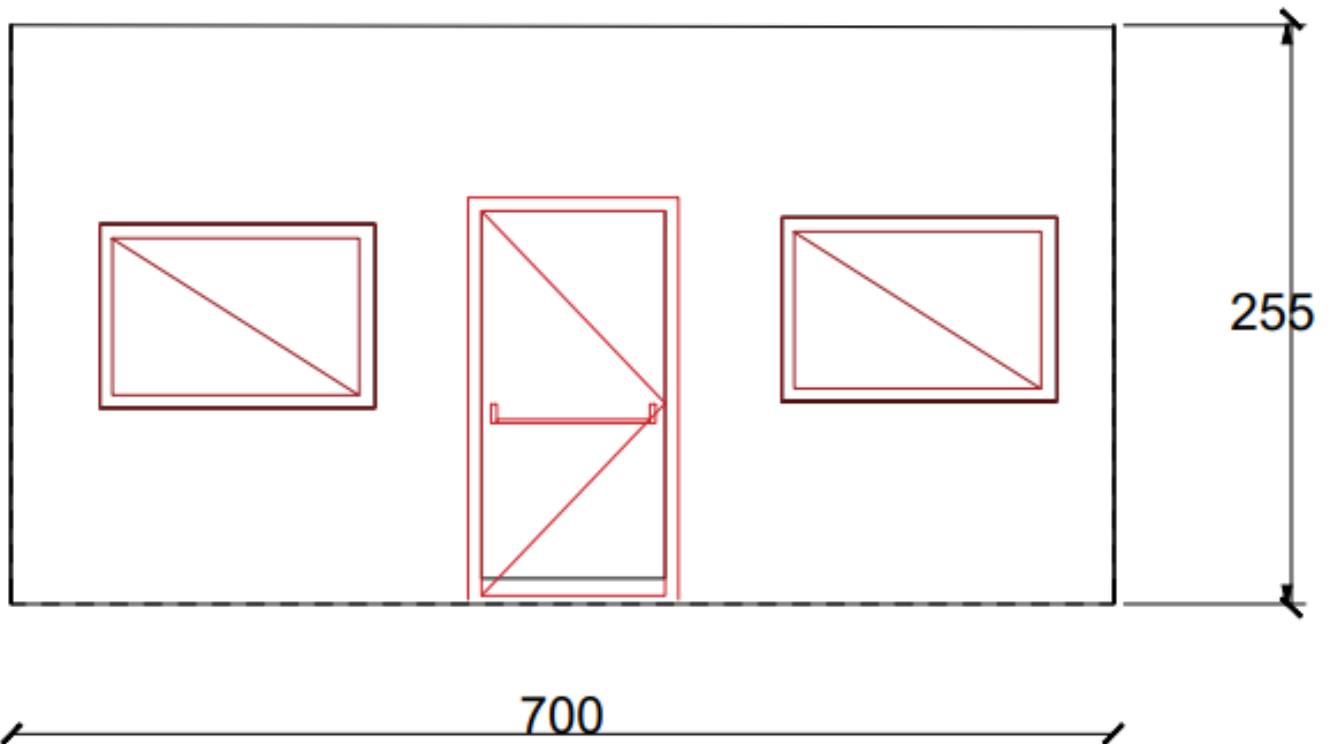
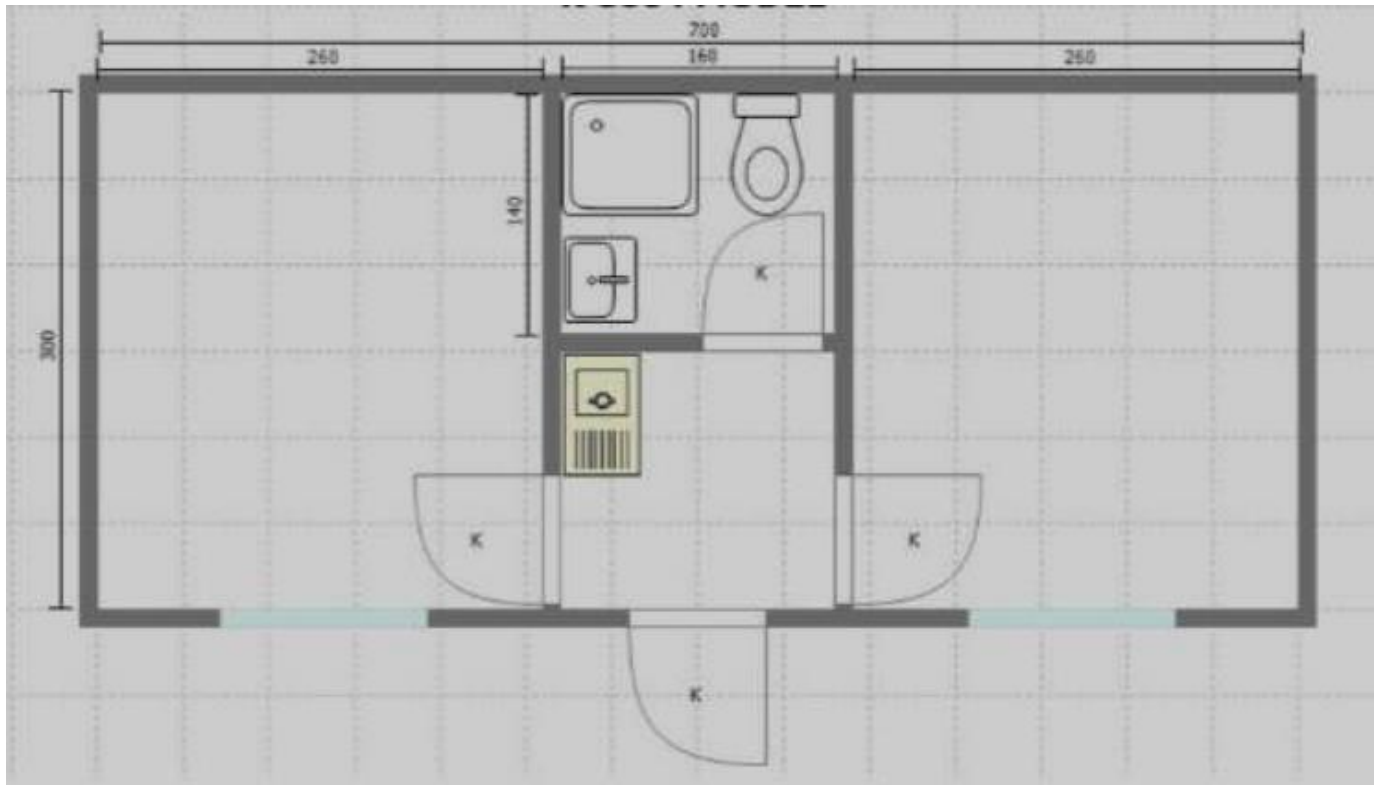


Save the Children

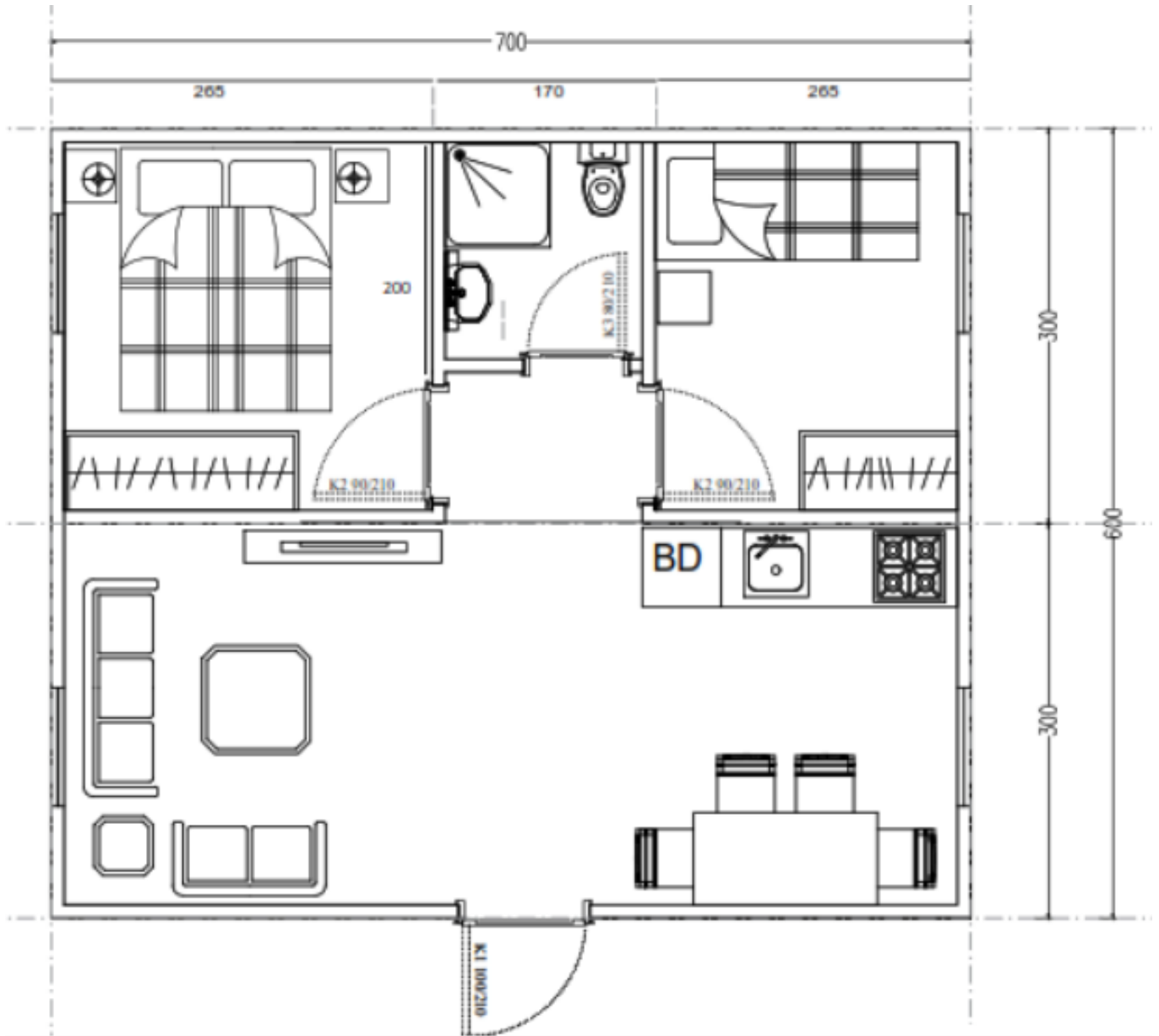
Lot 1: Container House – AFAD standard-7mx3m



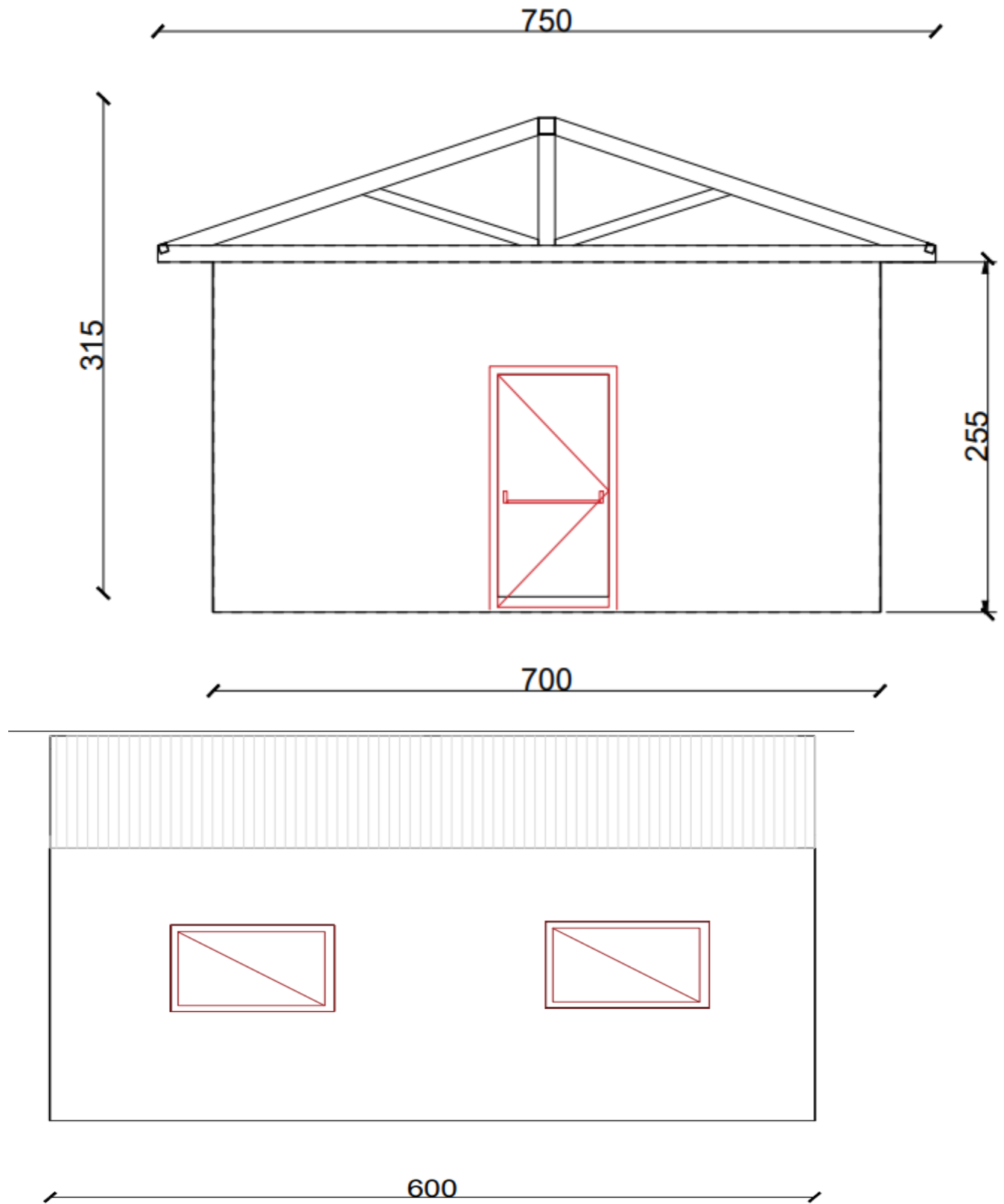
Lot 2: Container house for staff accommodation – Specifications are similar with AFAD – 7mx3m



Lot 3 : Container house – double building – 7mx6m

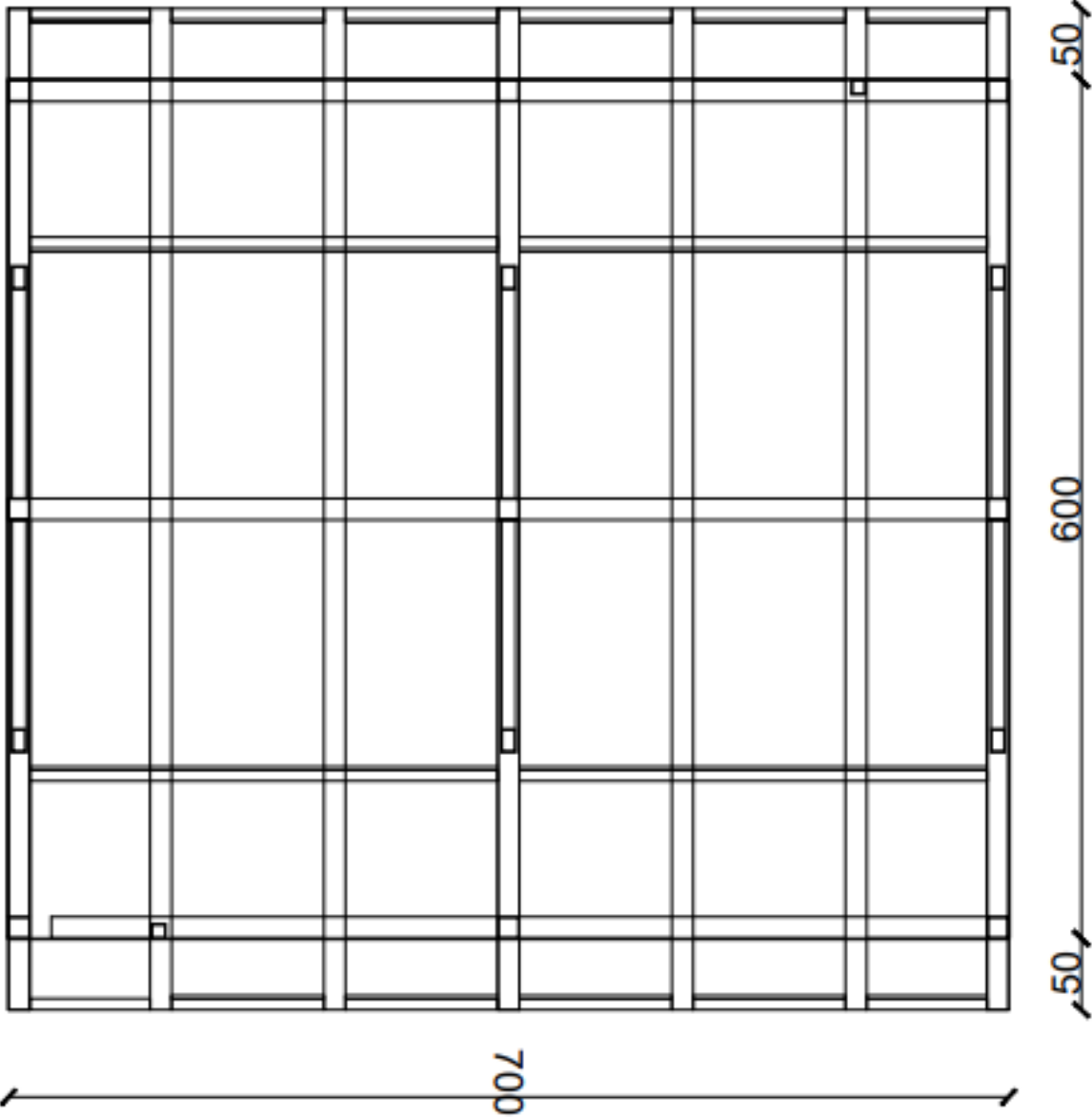


Lot 3 : Container house- Double building- Front view

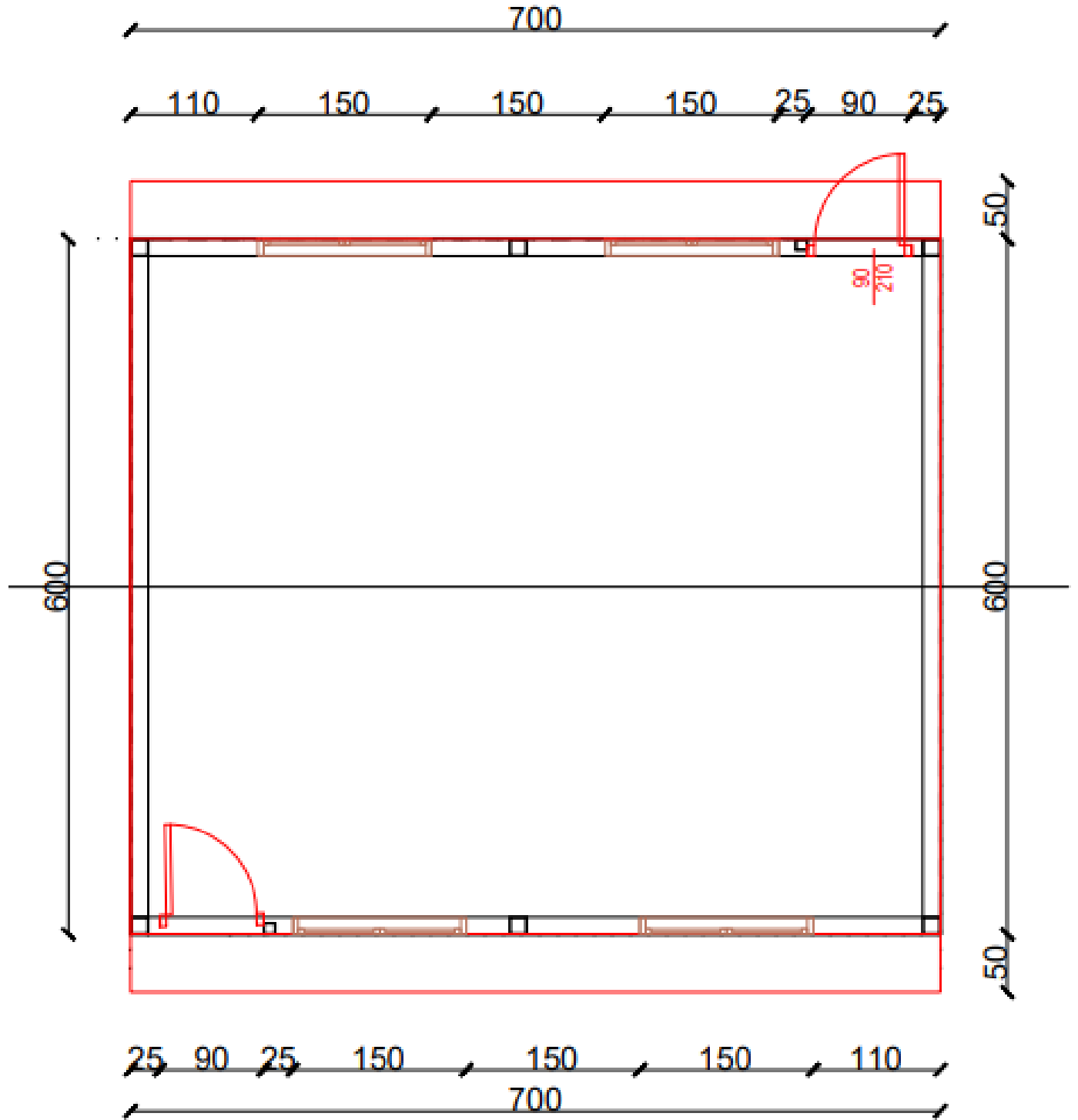


Save the Children

Lot 3 : Container house- double building– Roof Plan

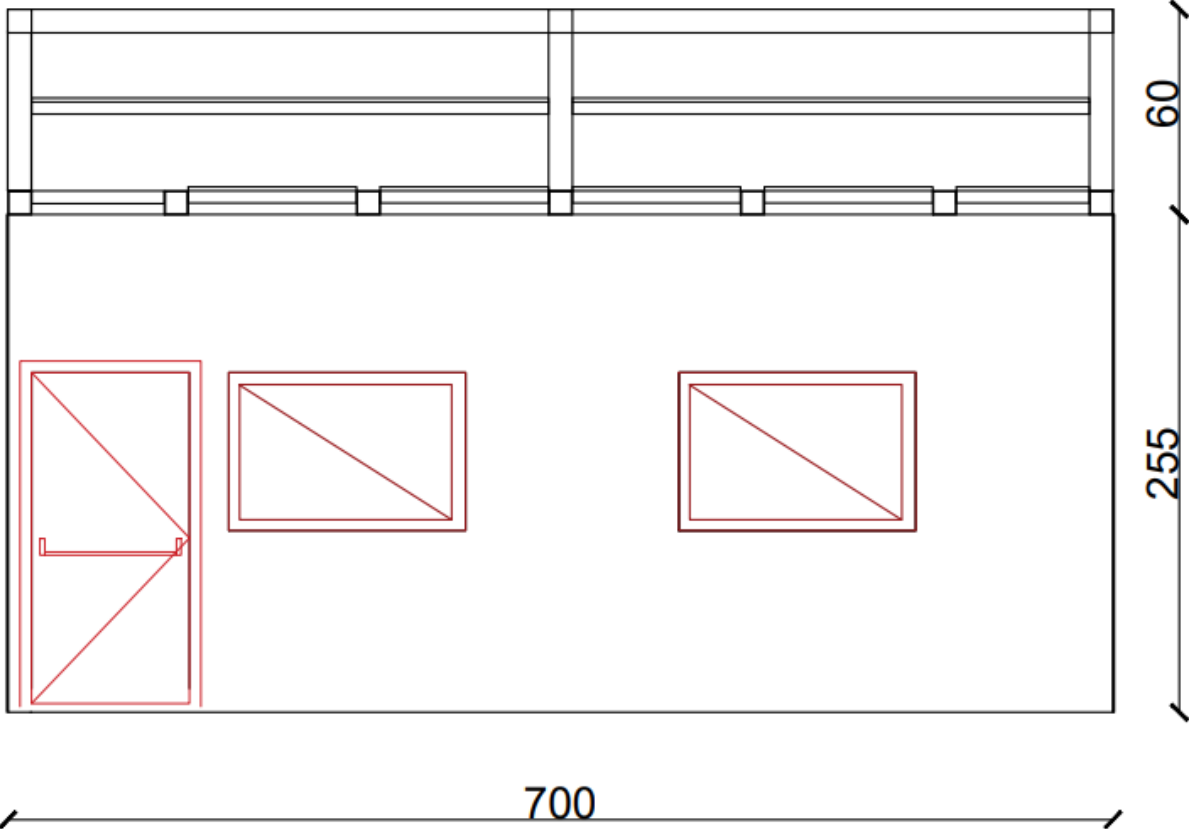


Lot 4 : Class room, Office or other room (7mx6m)- It may be changed slightly

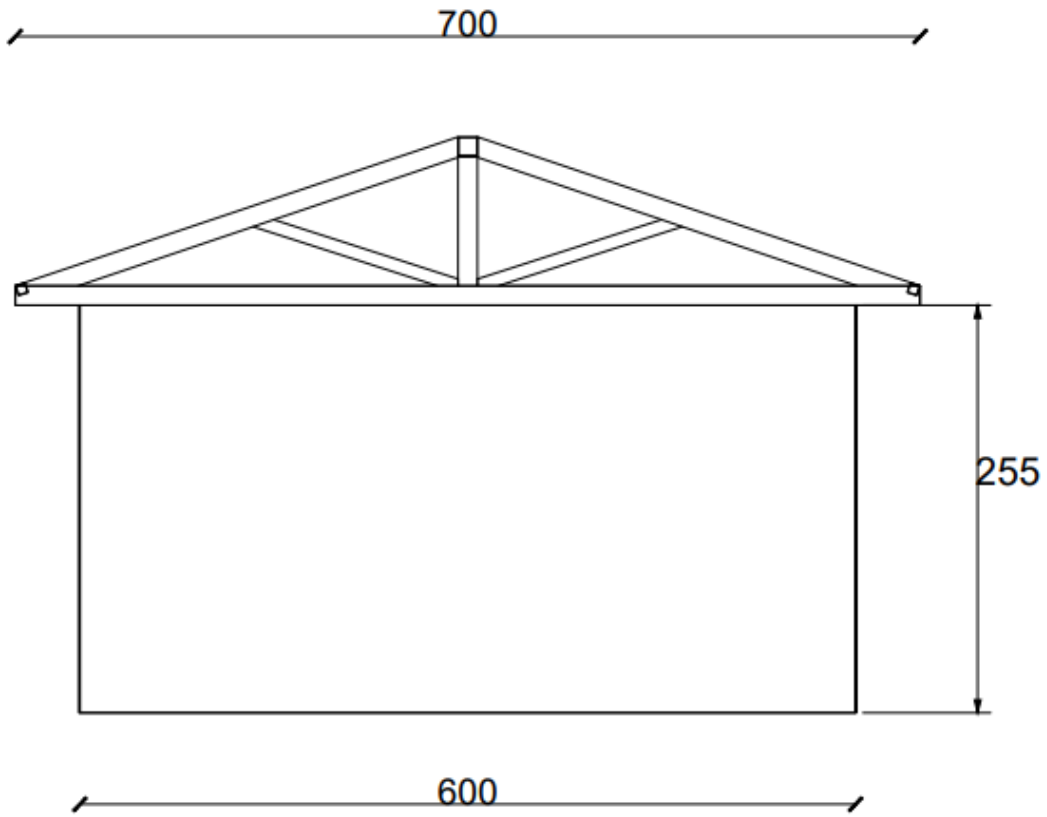


Save the Children

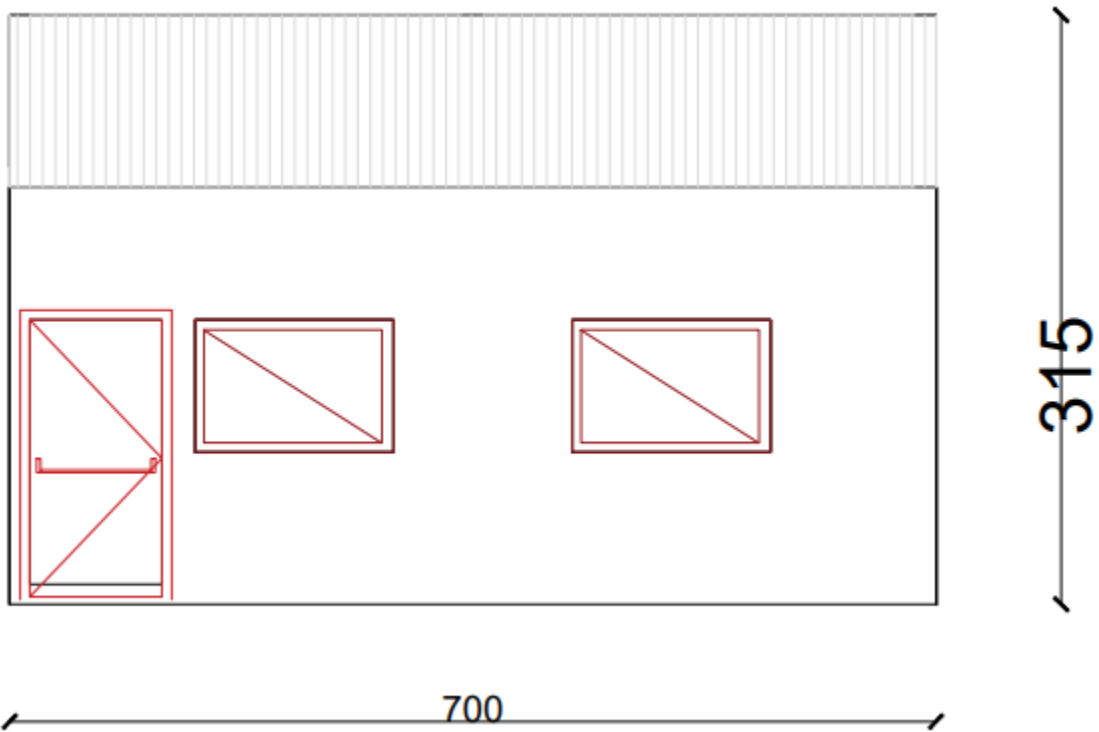
Lot 4 : Class room, Office or other room (7mx6m)- Front view – it can be changed slightly.



SIDE VIEW – Class rooms – It can be changed slightly



FRONT VIEW – CLASS ROOMS – It can be changed slightly



Lot 4 : Class room, Office or other room (7mx6m)- ROOF PLAN

