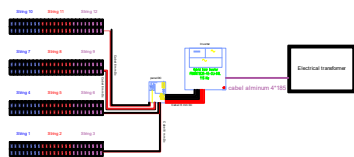
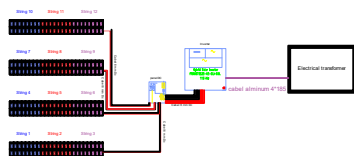
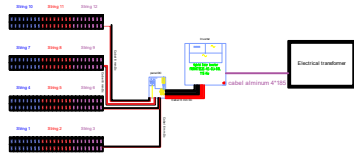
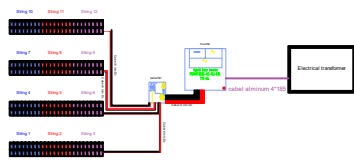


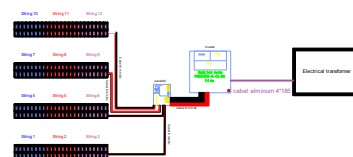
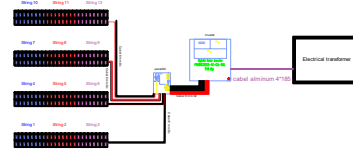
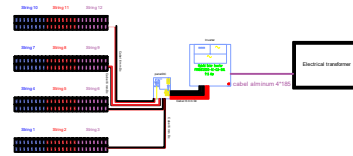
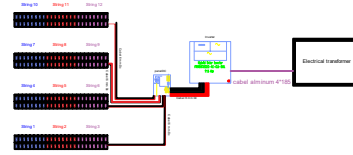
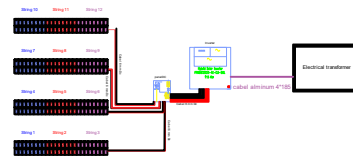
World Vision International
 Syria Crisis Response
 idleb office



| | |
|-------------|----------------------------------------------------------------------------------------------------------------------------------------------------------------------------------------------------------------------|
| Project | DEC II - ADH4 |
| Location | AL-Arshani Station |
| Drawn by | Ismail AL-Khalifa Mustafa Ghajar Mahmoud mashuni Hassan AL-Khatib |
| Reviewed by | Hussein AL-Khalil Hamadin jawaid Projects Coordinator |
| Date | 1-10-2024 |
| Contents | <p>Electrical connections diagram Strings No: 112 Each string: 16 solar panel Each inverter: 12 strings Cabel 6 mm cabel alminum 4*185 </p> |
| Plate No. 1 | |



DECII

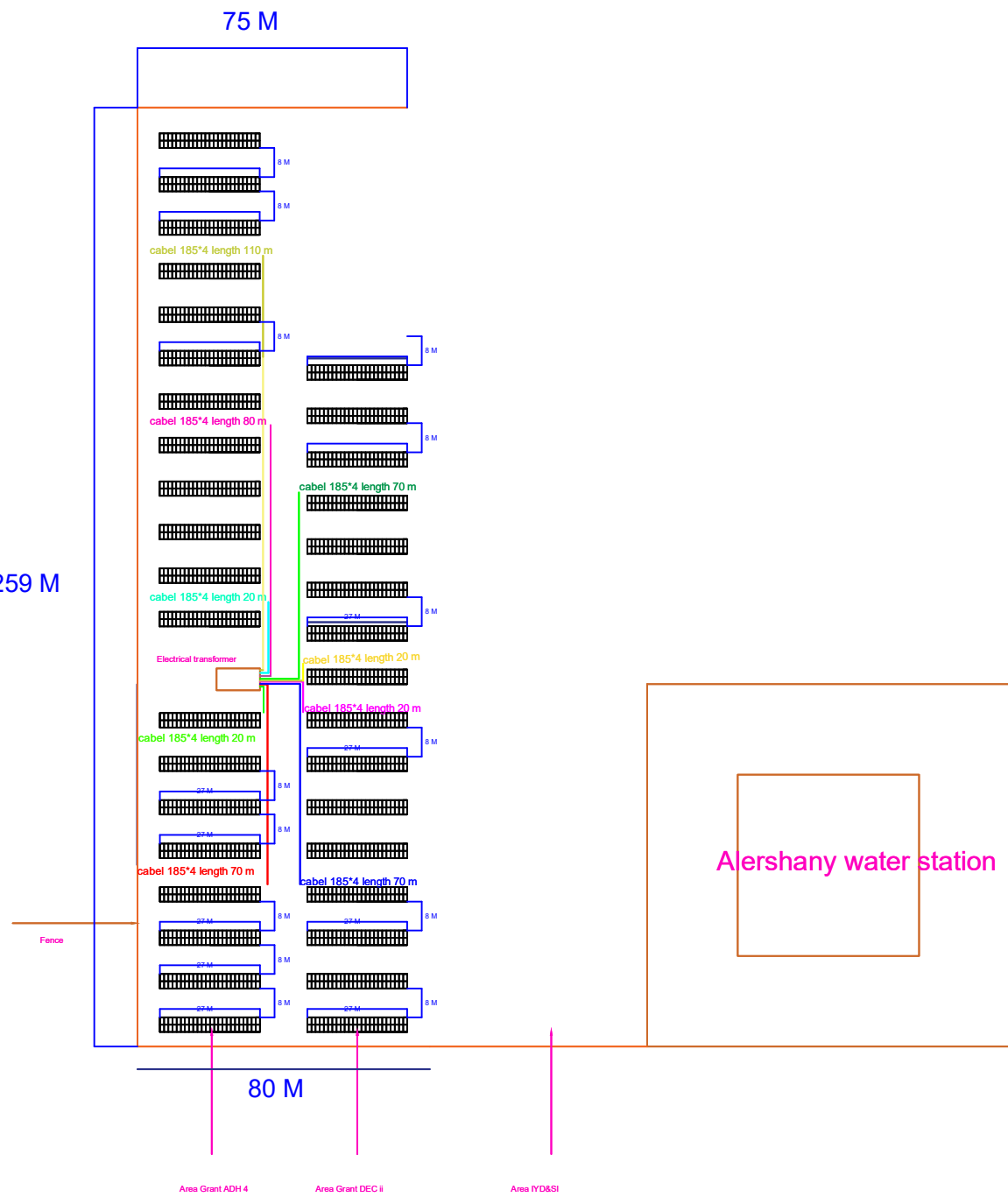


ADH4

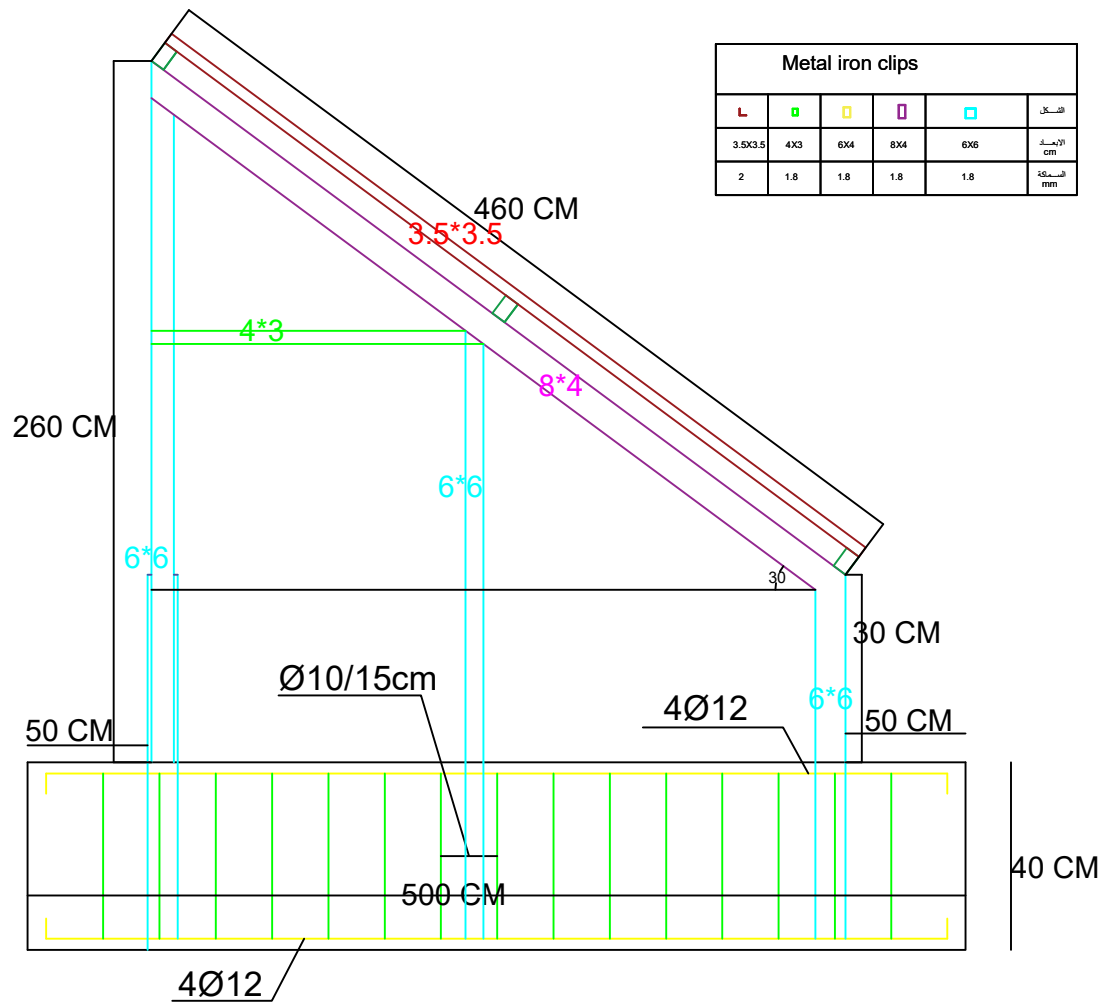
World Vision International
Syria Crisis Response
idleb office



| | |
|-------------|--------------------------------------------------------------------------------------------------------------------------------------------------------------------------------------------------------------------------------|
| Project | DEC II - ADH4 |
| Location | AL-Arshani Station |
| Drawn by | Ismail AL-Khalifa Mustafa Ghajar Mahmoud mashuni Hassan AL-Khatib |
| Reviewed by | Hussein AL-Khalil Hamadin jawaid Projects Coordinator |
| Date | 1-10-2024 |
| Contents | <p>Electrical connections diagram Strings No: 112 Each string: 16 solar panel Each inverter: 12 strings Cabel 6 mm cabel alminum 4*185 </p> |
| Plate No. 2 | |



| | |
|------------------------------------------------------------------------------------------------------------------------------------------------------|----------------------------------------------------------------------------------------------------|
| <p>World Vision International Syria Crisis Response idleb office</p> <p>World Vision الرؤية العالمية Dünya Vizyonu</p> | |
| Project | DEC II - ADH4 |
| Location | AL-Arshani Station |
| Drawn by | Ismail AL-Khalifa Mustafa Ghajar Mahmoud mashuni Hassan AL-Khatib |
| Reviewed by | Hussein AL-Khalil Hamadin jawaid Projects Coordinator |
| Date | 1-10-2024 |
| Contents | SITE General Strings No: 112 Each string: 16 solar panel Each inverter: 12 strings |
| Plate No. 3 | |



World Vision International
Syria Crisis Response
idleb office



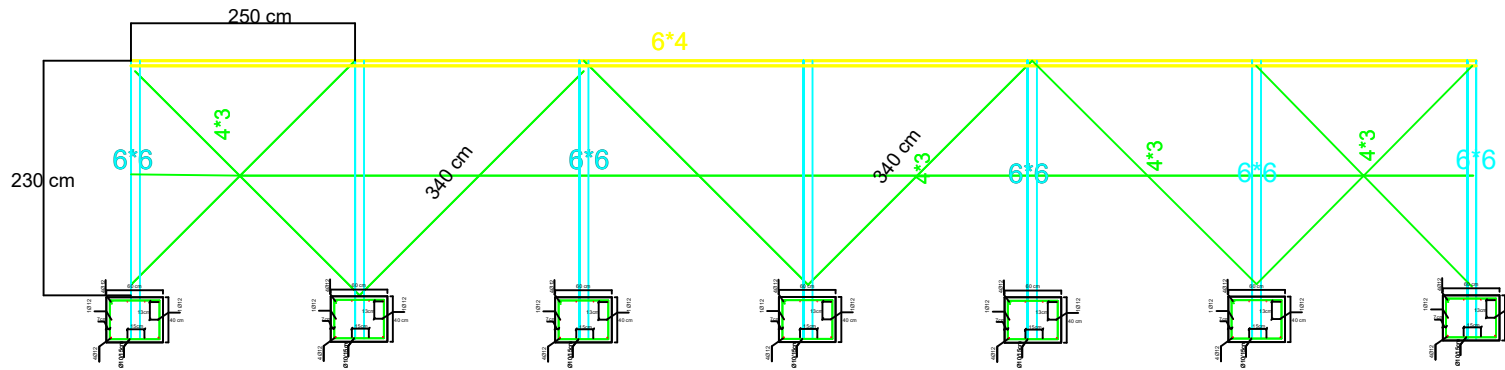
| | |
|-------------|----------------------------------------------------------------------------|
| Project | DEC II - ADH4 |
| Location | AL-Arshani Station |
| Drawn by | Ismail AL-Khalifa Mustafa Ghajar Mahmoud mashuni Hassan AL-Khatib |
| Reviewed by | Hussein AL-Khalil Hamadin jawaid Projects Coordinator |
| Date | 1-10-2024 |
| Contents | SECTION SIDE METAL BASE AND FOUNDATION |

Plate No. 4

World Vision International
 Syria Crisis Response
 idleb office

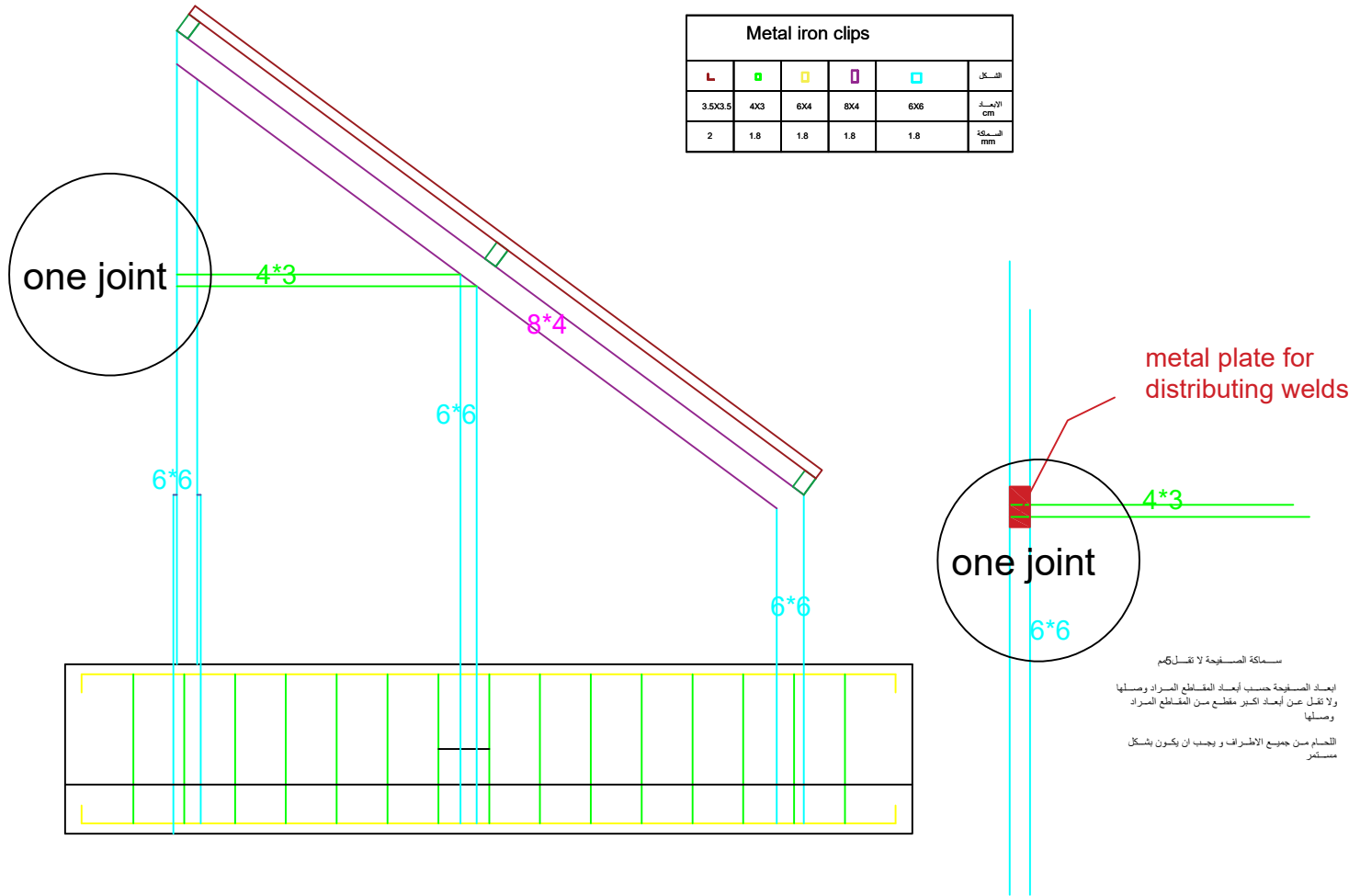


| | |
|-------------|----------------------------------------------------------------------------|
| Project | DEC II - ADH4 |
| Location | AL-Arshani Station |
| Drawn by | Ismail AL-Khalifa Mustafa Ghajar Mahmoud mashuni Hassan AL-Khatib |
| Reviewed by | Hussein AL-Khalil Hamadin jawaid Projects Coordinator |
| Date | 1-10-2024 |
| Contents | SECTON METAL Bask BASE AND FOUNDATION |

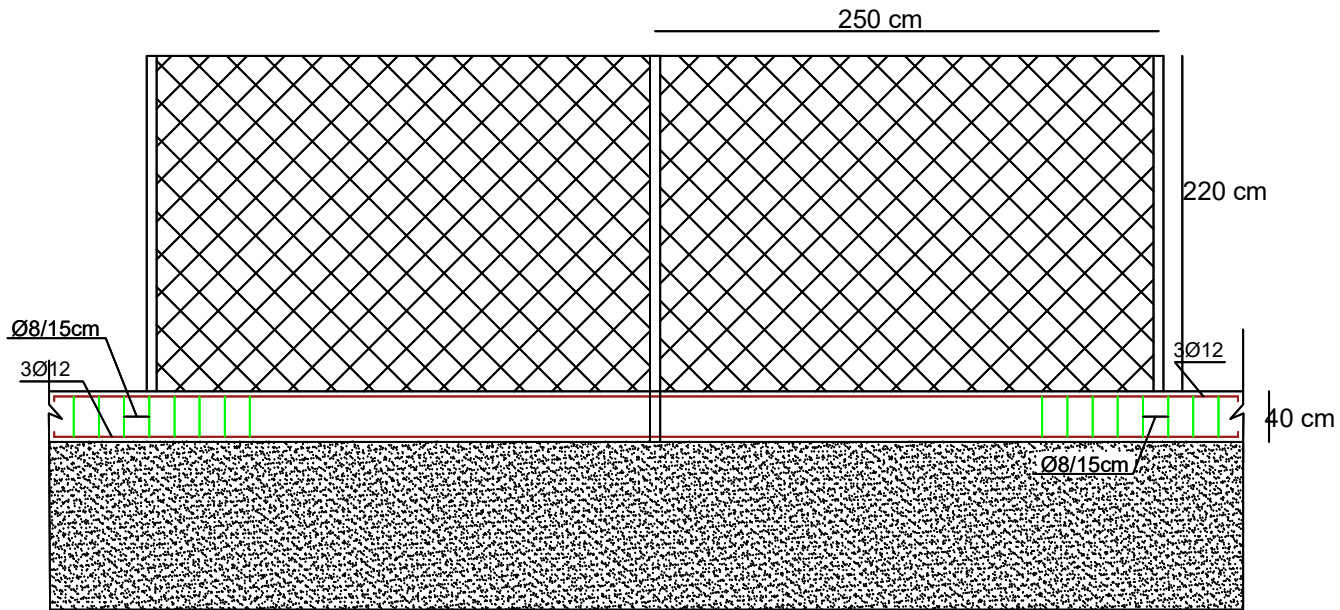


| Metal iron clips | | | | | |
|------------------|-----|-----|-----|-----|---------------|
| L | □ | □ | □ | □ | قفل |
| 3.5X3.5 | 4X3 | 6X4 | 8X4 | 6X6 | الاجزاء cm |
| 2 | 1.8 | 1.8 | 1.8 | 1.8 | السمك mm |

| Metal iron clips | | | | | |
|------------------|----------|-------|-------|-------|--------|
| الشكل | الارتفاع | العرض | السمك | اللون | الكمية |
| | 3.5x3.5 | 4x3 | 1.8 | أخضر | 2 |
| | 4x3 | 6x4 | 1.8 | أصفر | |
| | 6x4 | 8x4 | 1.8 | بنفسج | |
| | 6x6 | 6x6 | 1.8 | أزرق | |



| | |
|-------------|----------------------------------------------------------------------------|
| Project | DEC II - ADH4 |
| Location | AL-Arshani Station |
| Drawn by | Ismail AL-Khalifa Mustafa Ghajar Mahmoud mashuni Hassan AL-Khatib |
| Reviewed by | Hussein AL-Khalil Hamadin jawaid Projects Coordinator |
| Date | 1-10-2024 |
| Contents | Walding sections together with a plate |

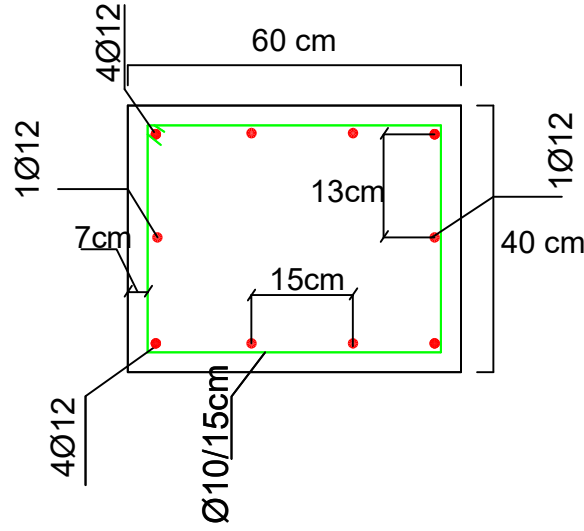
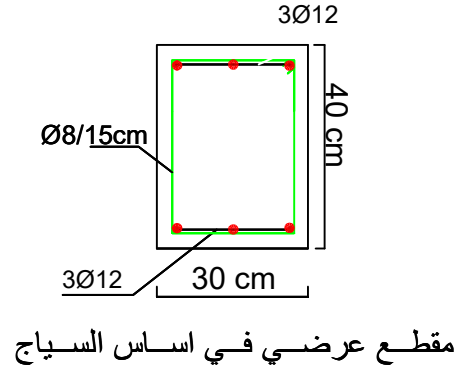


Section in the fence and foundation

World Vision International
 Syria Crisis Response
 idleb office



| | |
|-------------|----------------------------------------------------------------------------|
| Project | DEC II - ADH4 |
| Location | AL-Arshani Station |
| Drawn by | Ismail AL-Khalifa Mustafa Ghajar Mahmoud mashuni Hassan AL-Khatib |
| Reviewed by | Hussein AL-Khalil Hamadin jawaid Projects Coordinator |
| Date | 1-10-2024 |
| Contents | Section in the fence and foundation |
| Plate No. 7 | |



World Vision International
Syria Crisis Response
idleb office

World Vision
الرؤية العالمية
Dünya Vizyonu

| | |
|-------------|----------------------------------------------------------------------------|
| Project | DEC II - ADH4 |
| Location | AL-Arshani Station |
| Drawn by | Ismail AL-Khalifa Mustafa Ghajar Mahmoud mashuni Hassan AL-Khatib |
| Reviewed by | Hussein AL-Khalil Hamadin jawaid Projects Coordinator |
| Date | 1-10-2024 |
| Contents | مقاطع عرضية في اساس السياج والقاعدة معدنية |
| Plate No. 8 | |